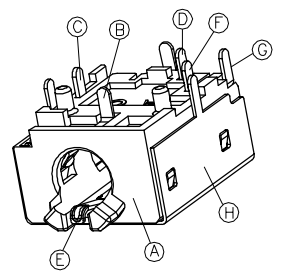
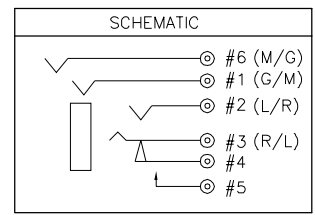
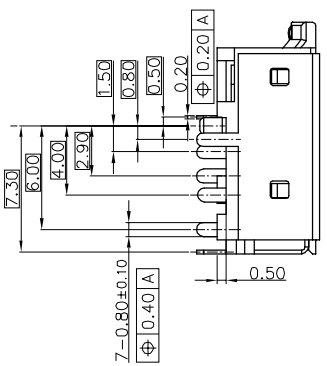
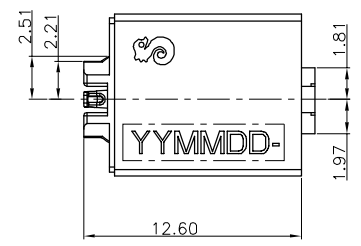
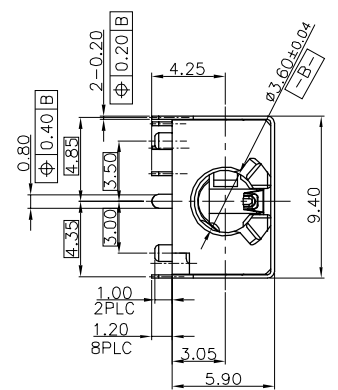
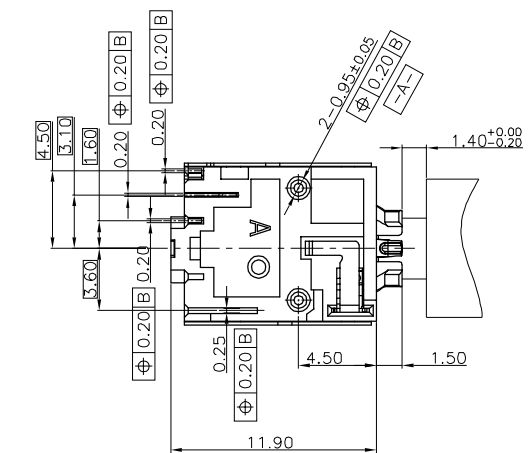


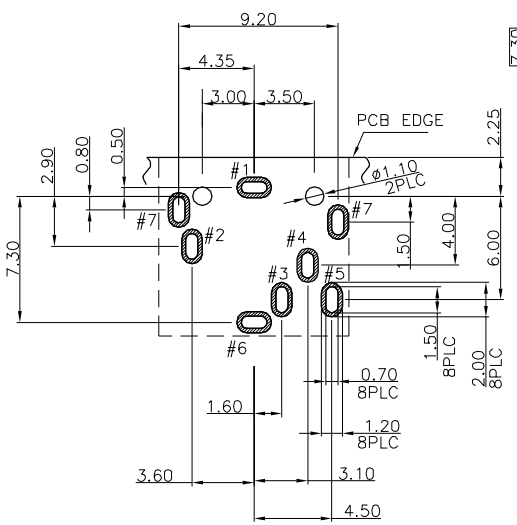
REV.	ECN NO OR DESCRIPTION	REVISED	DATE
A	PDR NO: T140710-1A	Kevin	2014.10.30

SPECIFICATIONS:

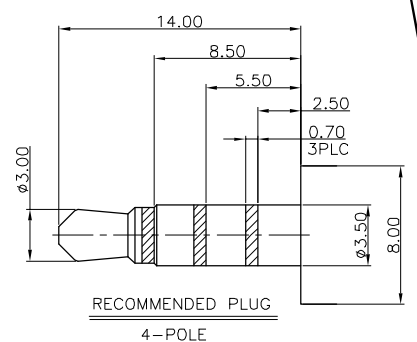
- ELECTRICAL CHARACTERISTICS:
 - RATING: 12V 1A
 - CONTACT RESISTANCE: 30mΩ MAX.(INITIAL)
 - DIELECTRIC WITHSTANDING VOLTAGE: 500V AC FOR ONE MINUTE.
 - INSULATION RESISTANCE: 100MΩ MIN. MEASURED BY 500 VDC.
- MECHANICAL CHARACTERISTICS:
 - INSERTION FORCE : 0.3~3.0KGF.
 - WITHDRAWAL FORCE : 0.3~3.0KGF.
- LIFE TEST: 5,000 CYCLES MIN.
AFTER LIFE TEST, CONTACT RESISTANCE: 60mΩ MAX.
- PACKAGING : TAPE & REEL.
- TO CONFORM TO SINGATRON HAZARDOUS SUBSTANCE FREE SPEC.
- HALOGEN FREE PRODUCT IDENTIFICATION MARK ON PRODUCT:
- HALOGEN FREE PRODUCT IDENTIFICATION LOGO ON PACKAGING:
- FOR LEAD-FREE PROCESS.
- PRINTED DATE CODE "YYMMDD=" ON TOP OF CONNECTOR.
(YYMMDD= YY:YEAR MM:MONTH DD:DAY)



3D VIEW



RECOMMENDED PCB LAYOUT(TOP VIEW)
(TOLERANCE: ±0.05)



RECOMMENDED PLUG
4-POLE

H	SHIELDING	1	PHOSPHOR BRONZE 0.2t	Ni 60μin MIN.
G	BREAK TERMINAL	1	PHOSPHOR BRONZE 0.2t	GOLD FLASH ON CONTACT AREA;
F	TRANSFER TERMINAL	1	PHOSPHOR BRONZE 0.2t	120μin Sn ON SOLDER;
E	EARTH-B	1	PHOSPHOR BRONZE 0.2t	ALL OVER 50μ Ni.
D	RING SPRING	1	PHOSPHOR BRONZE 0.2t	Au 30μ ON CONTACT AREA;
C	TIP SPRING	1	PHOSPHOR BRONZE 0.25t	120μin Sn ON SOLDER;
B	EARTH-A	1	COPPER ALLOY 0.2t	ALL OVER 50μ Ni.
A	BODY	1	HIGH TEMP.THERMOPLASTIC UL 94V-0	BLACK COLOR
NO	DESCRIPTION	QTY	MATERIAL	PLATING & COLOR

UNLESS OTHERWISE SPECIFIED TOLERANCES		Singatron Enterprise Co., Ltd. 信音企業股份有限公司		
DECIMALS:	ANGLES:	TITLE	ø3.50 AUDIO JACK	
X : ±0.5	X : ±2°	DWN Kevin	PART NO. 2SJ3015-026111F	
X.X : ±0.3	X.X : ±1°	CHKD Bruce	SCALE:4:1	UNIT: mm
X.XX : ±0.2		APVD Lussen	SIZE: A3	SHEET:1 OF 1
REV: A				
CUSTOMER COPY				