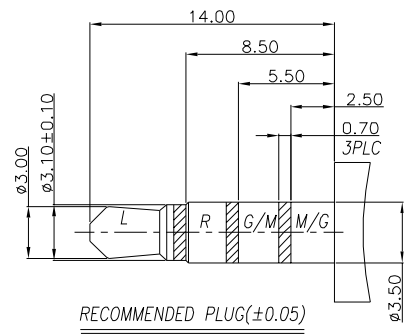
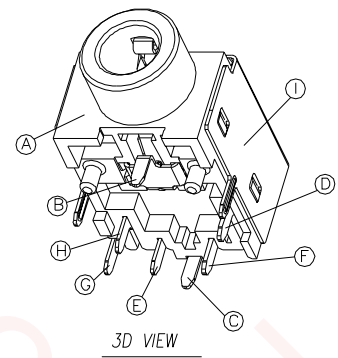
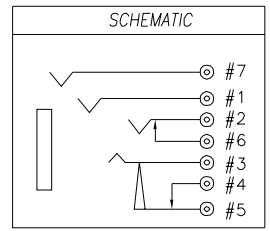


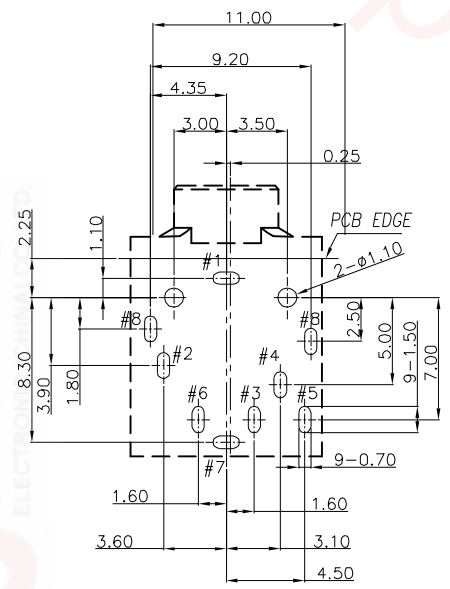
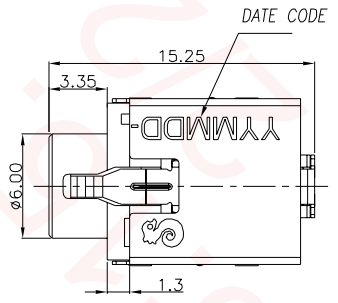
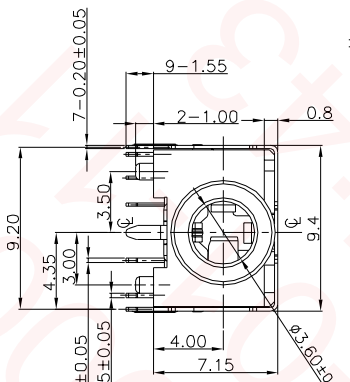
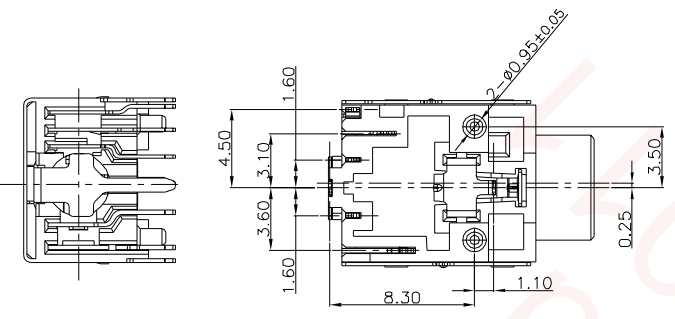
REV.	ECN NO OR DESCRIPTION	REVISED	DATE
A	PDR NO: T141111-9A	MARS	2015.01.23
B	ECN NO: S150518-C	JIE-FU	2015.06.30
C	ECN NO: S151117-C \triangle	Ken	2015.12.29



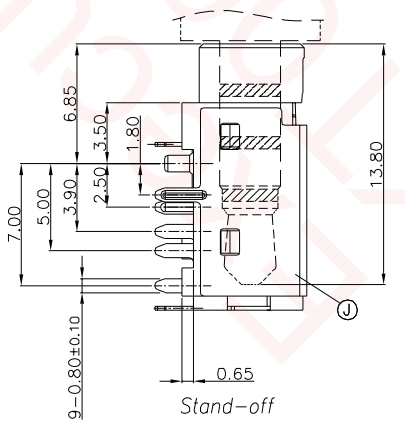
RECOMMENDED PLUG(±0.05)
#3.5 4-POLE STANDARD PLUG



- SPECIFICATIONS:
- INSULATION RESISTANCE BETWEEN ANY ADJACENT OPEN CIRCUIT TERMINAL SHELL NOT BE LESS THAN 100MΩ MEASURED BY 500 VDC MEGGER.
 - CONTACT RESISTANCE: 50mΩ MAX.
 - INSULATION VOLTAGE WITHSTAND: 500V AC FOR ONE MINUTE.
 - UNLESS OTHERWISE SPECIFIED, TEST IS TO BE MADE AT 5-35°C IN TEMPERATURE AND 45-85% IN HUMIDITY. BUT, IF ANY VAGUE DATA IS OCCURED ON TEST RESULT, ANOTHER TEST SHALL BE MADE AT 20°C±2°C IN TEMP., 60-70% IN HUMIDITY.
 - LIFE TEST: 5,000 CYCLES.
 - INSERTION FORCE: 0.3 - 3.0Kg.
 - WITHDRAWAL FORCE: 0.3 - 3.0Kg.
 - AFTER LIFE TEST, CONTACT RESISTANCE: 60mΩ MAX.
 - AFTER HUMIDITY TEST, INSULATION RESISTANCE: 50MΩ MIN.
 - MARKING: MARK "S" ON TOP OF CONNECTOR.
 - PACKAGING : TAPE & REEL.
 - TO CONFORM TO SINGATRON HAZARDOUS SUBSTANCE FREE SPEC.
 - HALOGEN FREE PRODUCT IDENTIFICATION MARK ON PRODUCT: \odot
 - HALOGEN FREE PRODUCT IDENTIFICATION LOGO ON PACKAGING: \bullet



RECOMMENDED PCB LAYOUT(TOP VIEW)
(TOLERANCE: ±0.05)



J	MYLAR	1	T=0.40mm.	YELLOW
I	SHIELDING	1	C5191-H, 0.2t	Ni 60u" MIN.
H	TRANSFER TERMINAL	1	C5210-EH, 0.2t	MATTE SN 120u"MIN ON SOLDER TAIL. GOLD FLASH ON CONTACT AREA.
G	BREAK TERMINAL	1	C5210-EH, 0.2t	ALL OVER 50u" Ni. \triangle
F	SHUNT TERMINAL	1	C2680-H, 0.25t	GOLD FLASH ON CONTACT AREA OVER Ni 50u" PLATING.
E	RING-B	1	C5210-EH, 0.2t	MATTE SN 120u"MIN ON SOLDER TAIL.
D	TIP SPRING	1	C5210-EH, 0.25t	GOLD FLASH ON CONTACT AREA.
C	EARTH-A	1	C5210-H, 0.2t	ALL OVER 50u" Ni.
B	RING-A	1	C5210-H, 0.2t	\triangle
A	BODY	1	PA10T+30%GF (R630-NH) UL 94V-0	BLACK
NO	DESCRIPTION	QTY	MATERIAL	PLATING & COLOR

UNLESS OTHERWISE SPECIFIED TOLERANCES

Singatron Enterprise Co., Ltd.
信音企業股份有限公司

DECIMALS: ANGLES:
X :±0.5 X :±2°
X.X :±0.3 X.X :±1°
X.XX :±0.2

TITLE: #3.50 AUDIO JACK

DWN	ken	PART NO. 2SJ3020-033111F
CHKD	Cerry	SCALE:4:1 UNIT: mm
APVD	liao	SIZE: A3 SHEET:1 OF 1 REV: C

CUSTOMER COPY