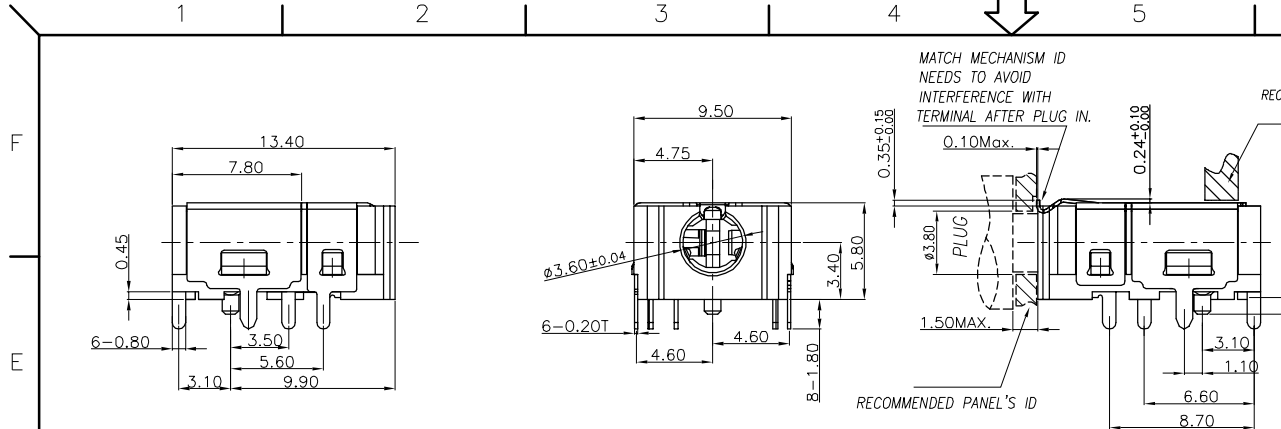
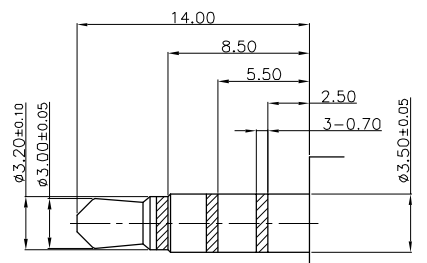
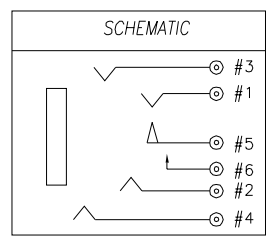
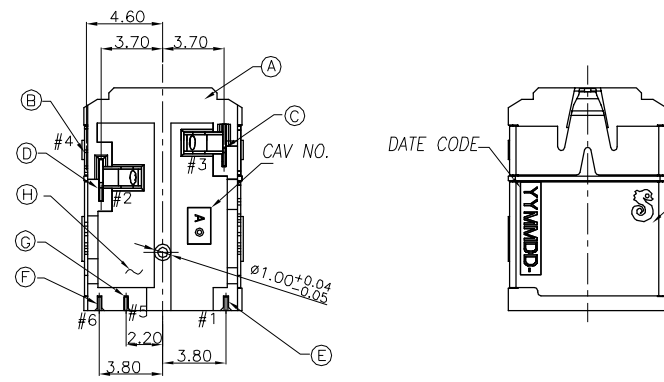
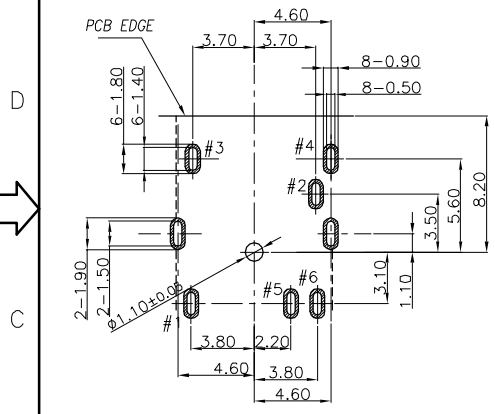


REV.	ECN NO OR DESCRIPTION	REVISED	DATE
A	PDR NO: C160331-1A	Bruce	2016.12.01



- SPECIFICATIONS:
- ELECTRICAL CHARACTERISTICS:
 - RATING: 12V 1A
 - CONTACT RESISTANCE: 50mΩ MAX.(INITIAL)
 - DIELECTRIC WITHSTANDING VOLTAGE: 500V AC FOR ONE MINUTE.
 - INSULATION RESISTANCE: 100MΩ MIN. MEASURED BY 500 VDC.
 - MECHANICAL CHARACTERISTICS:
 - INSERTION FORCE: INITIAL 0.3-3.0Kgf;
 - WITHDRAWAL FORCE: INITIAL 0.3-3.0Kgf;
 - LIFE TEST: 5,000 CYCLES MIN.
AFTER LIFE TEST, CONTACT RESISTANCE: 100mΩ MAX.
 - PACKAGING : TAPE & REEL.
 - AFTER HUMIDITY TEST, INSULATION RESISTANCE: 50MΩ MIN.
 - TO CONFORM TO SINGATRON HAZARDOUS SUBSTANCE FREE SPEC.
 - HALOGEN FREE PRODUCT IDENTIFICATION MARK ON PRODUCT:
 - HALOGEN FREE PRODUCT IDENTIFICATION LOGO ON PACKAGING:
 - FOR IR REFLOW RROFILE, PEAK TEMPERATURE:260°C Max.10 SECS;



NO	DESCRIPTION	QTY	MATERIAL	PLATING & COLOR																
J	SHELL	1	COPPER ALLOY, 0.2t	Ni 60u" MIN. PLATING.																
H	SEPARATE	1	HIGH TEMP.THERMOPLASTIC UL 94V-0	BLACK																
G	TRANSFER TERMINAL	1	COPPER ALLOY, 0.2t	GOLD FLASH : Ni 50 u" Min.																
F	MAKE TERMINAL	1	COPPER ALLOY, 0.2t	GOLD FLASH ON CONTACT AREA, MATTE Sn 80u" ON SOLDER TAIL, ALL OVER Ni 50u" MIN. PLATING.																
E	TIP SPRING	1	COPPER ALLOY, 0.25t	GOLD FLASH ON CONTACT AREA, MATTE Sn 80u" ON SOLDER TAIL, ALL OVER Ni 50u" MIN. PLATING.																
D	RING-A	1	COPPER ALLOY, 0.2t																	
C	RING-B	1	COPPER ALLOY, 0.2t																	
B	EARTH	1	COPPER ALLOY, 0.2t																	
A	BODY	1	PA 4T+30%GF(TX1) UL 94V-0	BLACK																
UNLESS OTHERWISE SPECIFIED TOLERANCES		Singatron Enterprise Co., Ltd. 信音企業股份有限公司																		
DECIMALS: X :±0.5 X.X :±0.3 X.XX :±0.2		<table border="1"> <tr> <td>TITLE</td> <td colspan="3">Ø3.50 AUDIO JACK</td> </tr> <tr> <td>DWN</td> <td>Bruce</td> <td>PART NO.</td> <td>2SJ3088-015111F</td> </tr> <tr> <td>CHKD</td> <td>Sky</td> <td>SCALE:4:1</td> <td>UNIT: mm</td> </tr> <tr> <td>APVD</td> <td>Lussen</td> <td>SIZE: A3</td> <td>SHEET:1 OF 1 REV: A</td> </tr> </table>			TITLE	Ø3.50 AUDIO JACK			DWN	Bruce	PART NO.	2SJ3088-015111F	CHKD	Sky	SCALE:4:1	UNIT: mm	APVD	Lussen	SIZE: A3	SHEET:1 OF 1 REV: A
TITLE	Ø3.50 AUDIO JACK																			
DWN	Bruce	PART NO.	2SJ3088-015111F																	
CHKD	Sky	SCALE:4:1	UNIT: mm																	
APVD	Lussen	SIZE: A3	SHEET:1 OF 1 REV: A																	
CUSTOMER COPY																				