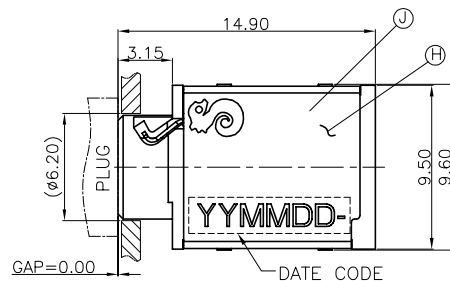
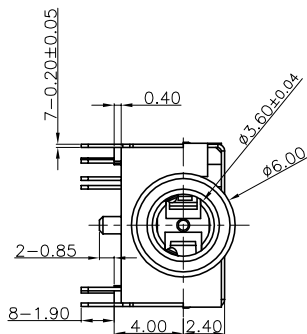
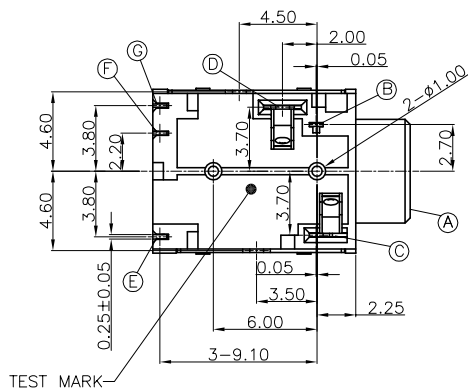
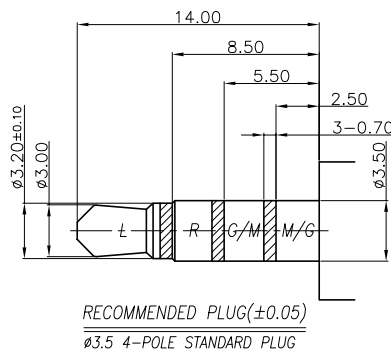
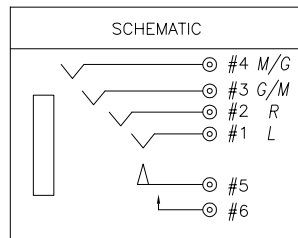
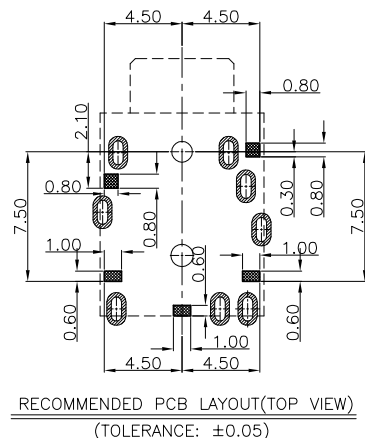
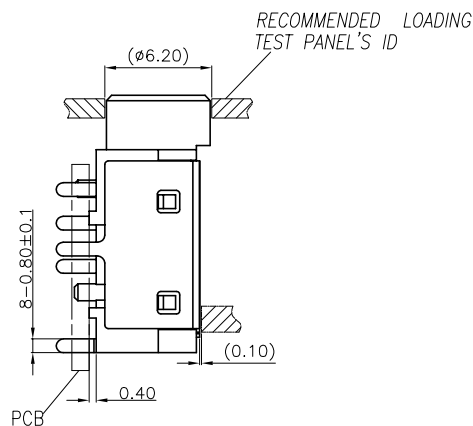
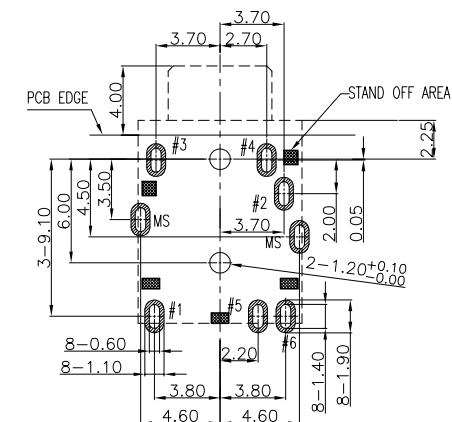


REV.	ECN NO OR DESCRIPTION	REVISED	DATE
A	PDR NO: T170713-6A	Julia	2018.1.22



SPECIFICATIONS:

- INSULATION RESISTANCE BETWEEN ANY ADJACENT OPEN CIRCUIT TERMINAL SHELL NOT BE LESS THAN 100MΩ MEASURED BY 500 VDC .
- CONTACT RESISTANCE: 50mΩ MAX(INITIAL).
- INSULATION VOLTAGE WITHSTAND:500V AC FOR ONE MINUTE. UNLESS OTHERWISE SPECIFIED. TEST IS TO BE MADE AT 5-35°C IN TEMPERATURE AND 45-85% IN HUMIDITY. BUT,IF ANY VAGUE DATA IS OCCURED ON TEST RESULT, ANOTHER TEST SHALL BE MADE AT 20°C±2°C IN TEMP., 60-70% IN HUMIDITY.
- LIFE TEST: 5,000 CYCLES.
- INSERTION FORCE: 0.3 - 3.0Kgf.
- WITHDRAWAL FORCE: 0.3 - 3.0Kgf.
- AFTER LIFE TEST, CONTACT RESISTANCE: 100mΩ MAX.
- AFTER HUMIDITY TEST, INSULATION RESISTANCE: 50MΩ MIN.
- MARKING: MARK " Ⓢ " ON TOP OF CONNECTOR.
- PACKING : TAPE & REEL.
- TO CONFORM TO SINGATRON HAZARDOUS SUBSTANCE FREE SPEC.
- HALOGEN FREE PRODUCT IDENTIFICATION MARK ON JACK: Ⓢ
- HALOGEN FREE PRODUCT IDENTIFICATION LABEL ON PACKAGING: Ⓢ
- ENVIROMENTAL CHARACTERSTICS:
STORAGE TEMPERATURE:-40°C~+85°C
OPERATION TEMPERATURE:-25°C~+85°C



J	SHELL	1	SUS304-1/2H, 0.2T	GOLD FLASH ON SOLDER TAIL, NICKEL 60u" MIN.
H	SEPARATE	1	LCP E130i +30% GF,UL94V-0	BLACK
G	MAKE TERMINAL	1	C5210-EH, 0.2t	GOLD FLASH ON CONTACT AREA, MATTE TIN 120u" ON SOLDER TAIL, ALL OVER NICKEL 50u" MIN. PLATING.
F	TRANSFER TERMINAL	1	C5210-EH, 0.2t	
E	TIP SPRING	1	C5210-EH, 0.25t	
D	RING-A	1	C5210-EH, 0.2t	
C	RING-B	1	C5210-EH, 0.2t	
B	EARTH	1	C5210-EH, 0.2t	
A	BODY	1	PA4T+30%GF(TX1),UL94V-0	BLACK
NO	DESCRIPTION	QTY	MATERIAL	PLATING & COLOR

UNLESS OTHERWISE SPECIFIED TOLERANCES

Singatron Enterprise Co., Ltd.
信音企業股份有限公司

DECIMALS: ANGLES:
X :±0.5 X :±2°
X.X :±0.3 X.X :±1°
X.XX :±0.2

TITLE	φ3.50 AUDIO JACK		
DWN	Julia	PART NO. 2SJ3062-014111F	
CHKD	Bruce	SCALE:4:1	UNIT: mm
APVD	Lussen	SIZE: A3	SHEET:1 OF 1

CUSTOMER COPY