


REV.	ECN NO OR DESCRIPTION	REVISED	DATE
A	PDR RELEASE	IVY-C	2013.08.19
B	ECN NO:L130140	IVY-C	2013.12.25

SPECIFICATIONS:

- ELECTRICAL CHARACTERISTICS:
 - CONTACT RESISTANCE: 30mΩ MAX.
 - INSULATION RESISTANCE: 100MΩ MIN. @ 500V DC.
 - DIELECTRIC WITHSTANDING VOLTAGE: 500V AC FOR 1 MINUTE.
- MECHANICAL CHARACTERISTICS:
 - INSERTION FORCE: 0.4~3.0Kgf.
 - WITHDRAWAL FORCE: 0.3~3.0Kgf.
- LIFE TEST: 5,000 CYCLES.
- OTHER GENERAL SPEC. TO REFER "2SJ3057-110011F SPEC".
- TO CONFORM TO THE SINGATRON HAZARDOUS SUBSTANCE FREE SPEC.
- HALOGEN FREE PRODUCT IDENTIFICATION LABEL ON PACKAGING: 
- PACKAGE: SEE "2SJ3057 SERIES" PACKAGE.
- FOR REFLOW SOLDERING LEAD-FREE PROCESS.

PART NO.

2SJ3057-110011F


SHELL PIN LENGTH
1: 2.3mm

- SUFFIX: HALOGEN FREE
- PACKAGE
1: TRAY
- HOUSING COLOR
1: BLACK
- CONTACT PLATING
0: GOLD FLASH OVER 50u" NICKEL MIN.

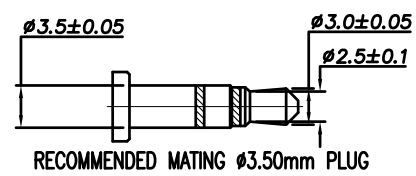
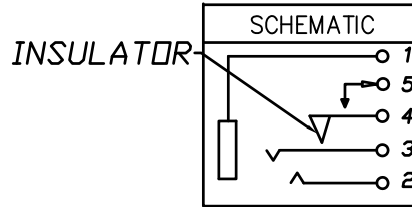
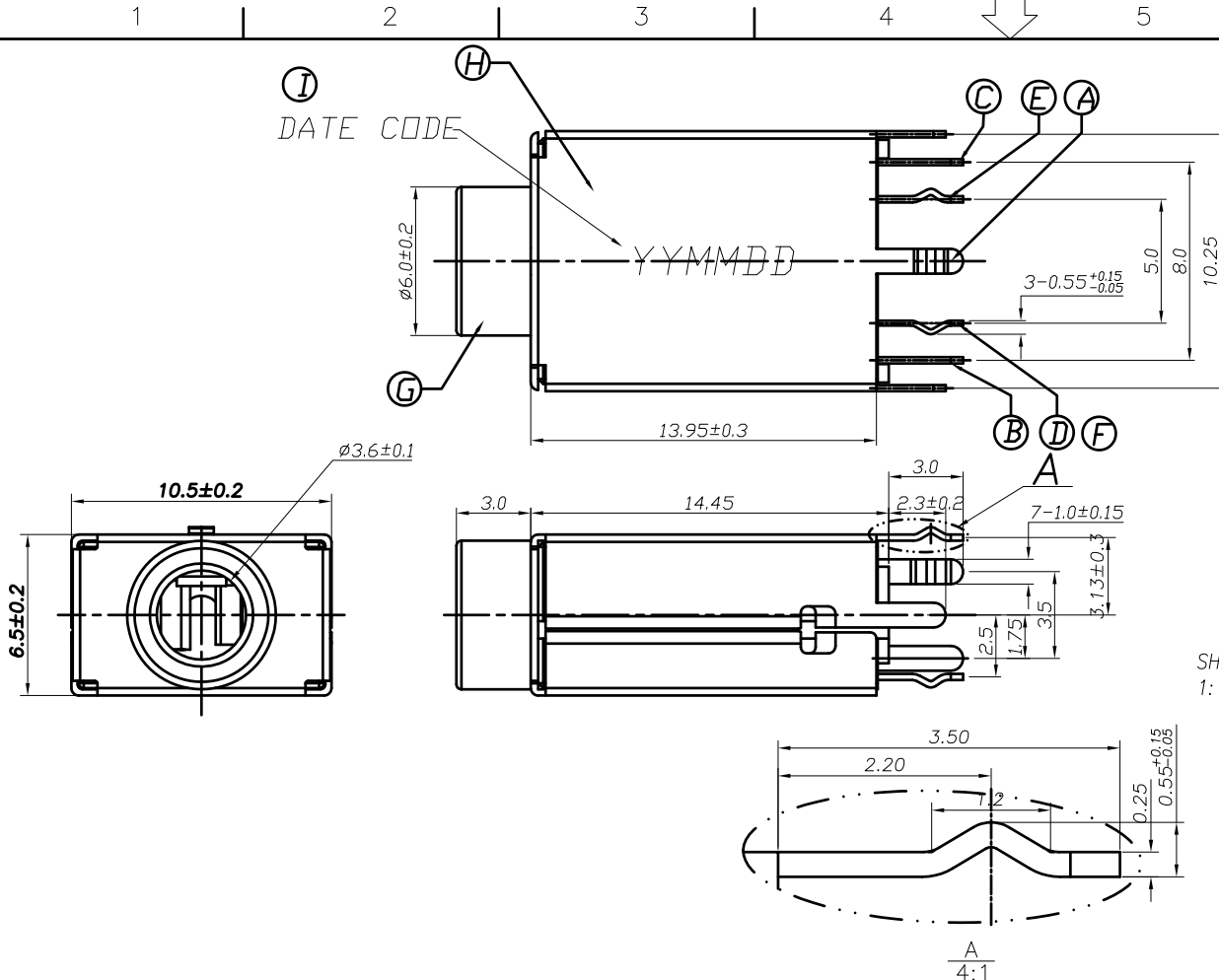
I	INK	-	INK	BLACK
H	SHELL	1	STAINLESS STEEL,t=0.25	NICKEL
G	HOUSING	1	LCP+30%GF,UL 94V-0	BLACK
F	INSULATOR	1	PA10T,UL 94V-0	BLACK
E	BREAK TERMINAL	1	C5191,t=0.25	SEE PART NO.
D	TRANSFER TERMINAL	1	C5191,t=0.20	SEE PART NO.
C	RING TERMINAL	1	C5191,t=0.20	SEE PART NO.
B	TIP TERMINAL	1	C5191,t=0.25	SEE PART NO.
A	EARTH TERMINAL	1	C5191,t=0.25	SEE PART NO.
NO	DESCRIPTION	QTY	MATERIAL	PLATING & COLOR

UNLESS OTHERWISE SPECIFIED TOLERANCES

 Singatron Enterprise Co., Ltd.
信音企業股份有限公司

DECIMALS:	ANGLES:	TITLE	ø3.5mm MINIATURE JACK		
X : ±0.5	X : ±2°	DWN	IVY-C 2013.12.25	PART NO. 2SJ3057-110011F	
X.X : ±0.3	X.X : ±1°	CHKD	SCALE 1:1	UNIT: mm	
X.XX : ±0.2		APVD	ANGEL2013.12.25	SIZE: A3	SHEET: 1 OF 1 REV: B

CUSTOMER COPY



T:1.6 Dimensions of PC board holes
Tolerance : ±0.05(Printed-top view)