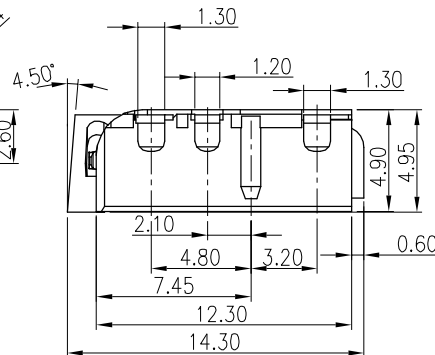
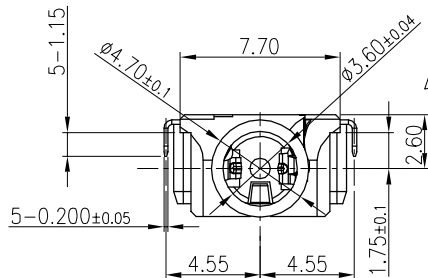
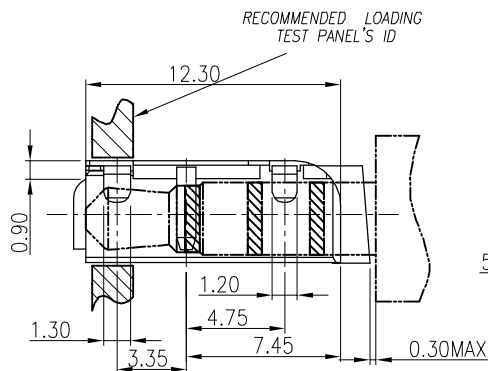


REV.	ECN NO OR DESCRIPTION	REVISED	DATE
A	PDR NO: S160630-4A	Bruce	2017.06.21



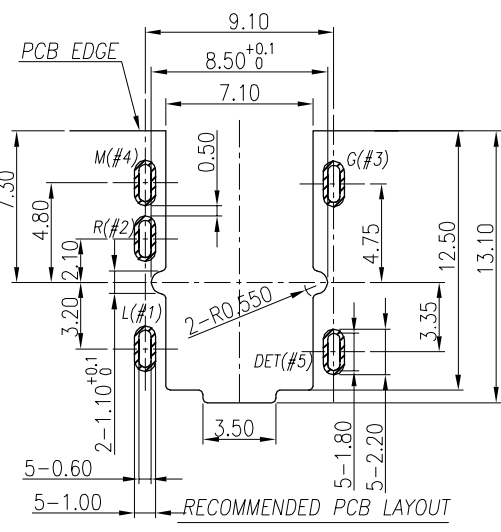
SPECIFICATIONS:

1. ELECTRICAL CHARACTERISTICS:

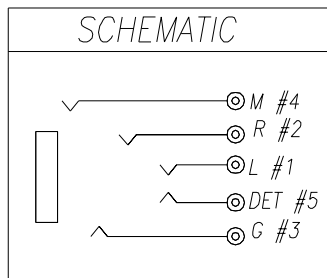
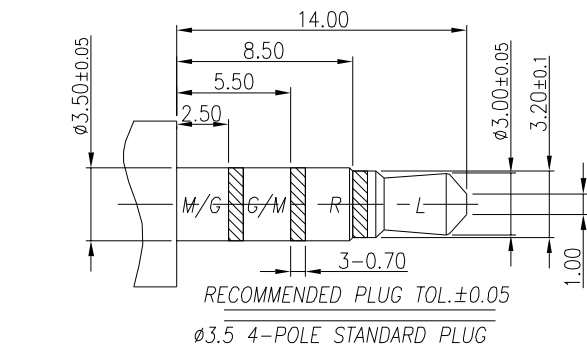
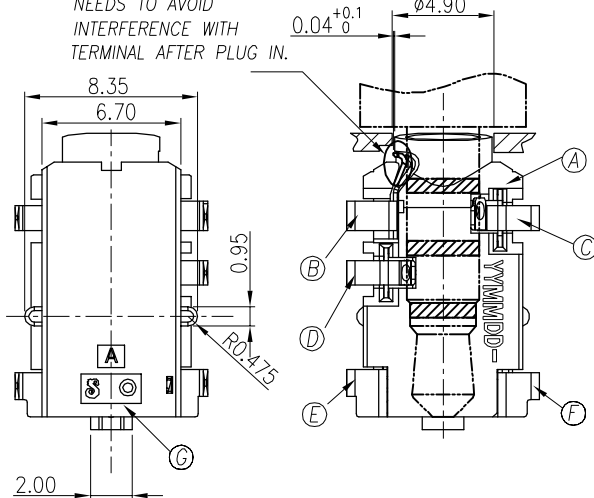
- 1-1. RATING: 12V 1A
- 1-2. CONTACT RESISTANCE: 50mΩ MAX.(INITIAL)
- 1-3. DIELECTRIC WITHSTANDING VOLTAGE: 500V AC FOR ONE MINUTE.
- 1-4. INSULATION RESISTANCE: 100MΩ MIN. MEASURED BY 500 VDC.

2. MECHANICAL CHARACTERISTICS:

- 2-1. INSERTION FORCE: INITIAL 0.3-3.0Kgf
- 2-2. WITHDRAWAL FORCE: INITIAL 0.3-3.0Kgf
- 3. LIFE TEST: 10,000 CYCLES MIN.
- AFTER LIFE TEST, CONTACT RESISTANCE: 100mΩ MAX.
- 4. PACKAGING : TAPE & REEL.
- 5. AFTER HUMIDITY TEST, INSULATION RESISTANCE: 50MΩ MIN.
- 6. TO CONFORM TO SINGATRON HAZARDOUS SUBSTANCE FREE SPEC.
- 7. HALOGEN FREE PRODUCT IDENTIFICATION MARK ON PRODUCT:
- 8. HALOGEN FREE PRODUCT IDENTIFICATION LOGO ON PACKAGING:
- 9. FOR LEAD-FREE PROCESS.
- 10. PRINTED DATE CODE "YYMMDD-" ON TOP OF CONNECTOR.



MATCH MECHANISM ID NEEDS TO AVOID INTERFERENCE WITH TERMINAL AFTER PLUG IN.



NO	DESCRIPTION	QTY	MATERIAL	PLATING & COLOR
G	DUMMY PIN	1	SUS 304 1/2H 0.20t	50u" Ni Min.
F	DET	1	PHOSPHOR BRONZE 0.2t	Au 2u"Min ON CONTACT AREA; Au 2u"Min ON SOLDER AREA; ALL OVER 50u" Ni.
E	TIP	1	SUS 304 1/2H 0.20t	
D	RING	1	PHOSPHOR BRONZE 0.2t	
C	GROUND	1	PHOSPHOR BRONZE 0.2t	
B	MIC	1	PHOSPHOR BRONZE 0.2t	
A	BODY	1	HIGH TEMP.THERMOPLASTIC UL 94V-0	BLACK

UNLESS OTHERWISE SPECIFIED TOLERANCES

Singatron Enterprise Co., Ltd.
信音企業股份有限公司

DECIMALS:	ANGLES:	TITLE	3.5φ PHONE JACK		
X : ±0.5	X : ±2°	DWN Bruce	PART NO. 2SJ3151-001111F		
X.X : ±0.3	X.X : ±1°	CHKD Sky	SCALE 4:1	UNIT: mm	
X.XX : ±0.2		APVD Lussen	SIZE: A3	SHEET: 1 OF 1	REV:A

CUSTOMER COPY