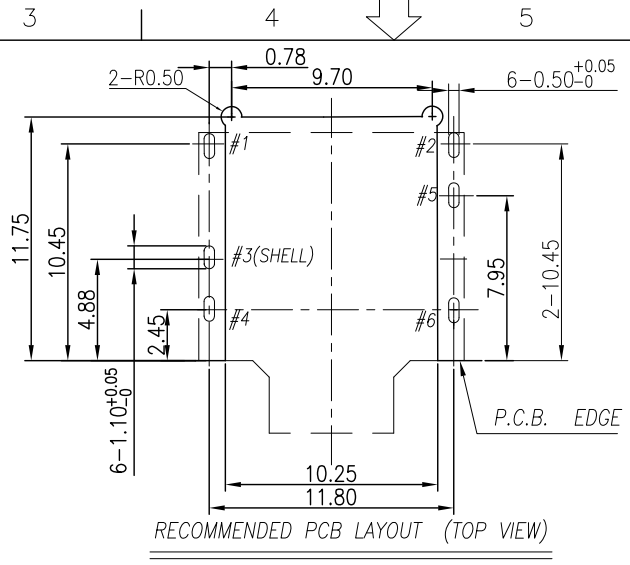
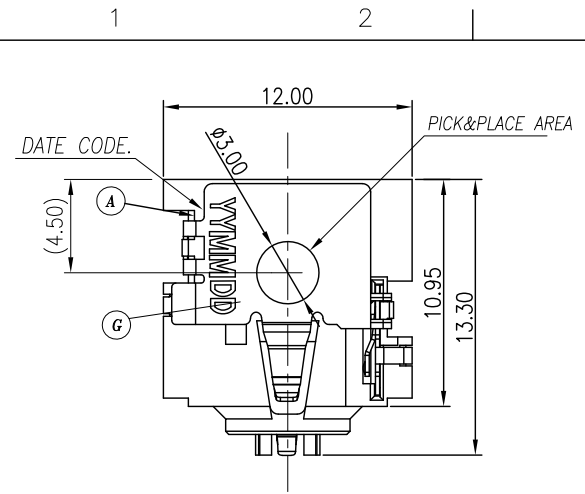
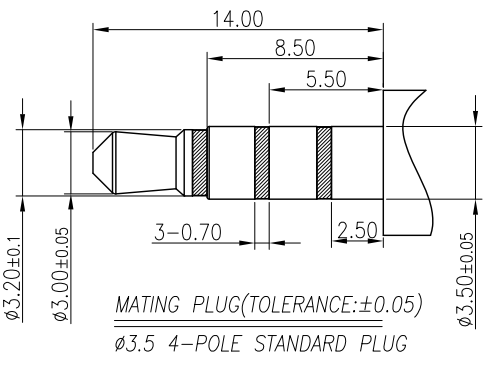
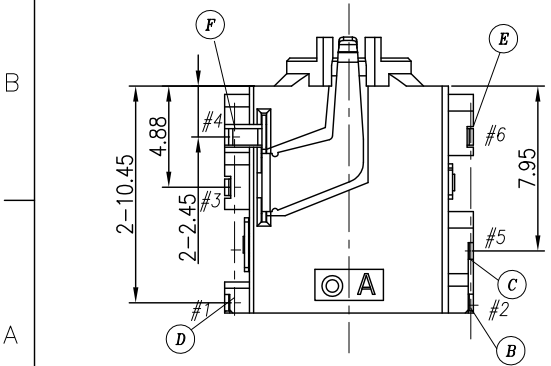
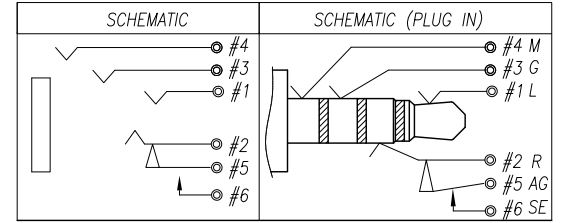
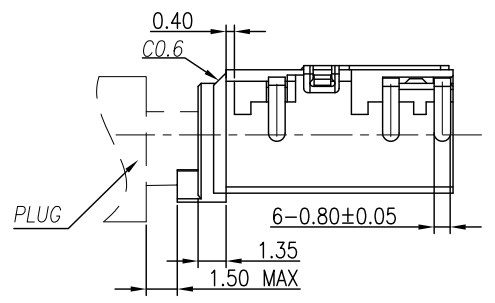
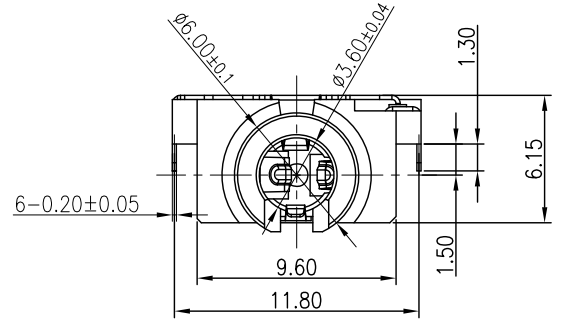


1	7	8	
REV.	ECN NO OR DESCRIPTION	REVISED	DATE
A	PDR NO: T121119-1A	Aaron	2013.03.19



- SPECIFICATIONS:
- INSULATION RESISTANCE BETWEEN ANY ADJACENT OPEN CIRCUIT TERMINAL SHELL NOT BE LESS THAN 100MΩ MEASURED BY 500 VDC .
 - CONTACT RESISTANCE :50mΩ MAX.
 - INSULATION VOLTAGE WITHSTAND : 500V AC FOR ONE MINUTE.
 - LIFE TEST : 5,000 CYCLES MIN. (NON-LOAD)
 - INSERTION FORCE :0.3 - 3.0Kg.
 - WITHDRAWAL FORCE :0.3 - 3.0Kg.
 - PACKAGING : TAPE & REEL.
 - TO CONFORM TO SINGATRON HAZARDOUS SUBSTANCE FREE SPEC.
 - HALOGEN FREE PRODUCT IDENTIFICATION MARK ON PRODUCT: Ⓞ
 - HALOGEN FREE PRODUCT IDENTIFICATION LOGO ON PACKING: Ⓢ



G	SHIELDING	1	COPPER ALLOY, 0.2t	NICKEL PLATING 50u".
F	EARTH	1	COPPER ALLOY, 0.2t	GOLD FLASH ON CONTACT, AND SOLDER TAIL AREA, ALL OVER 60u" NICKEL PLATING.
E	MAKE	1	COPPER ALLOY, 0.2t	
D	TIP	1	COPPER ALLOY, 0.2t	
C	TRANSFER	1	COPPER ALLOY, 0.2t	BLACK
B	RING SPRING &SEPARATOR	1	COPPER ALLOY, 0.2t HIGH TEMP.THERMOPLASTIC	
A	BODY	1	HIGH TEMP.THERMOPLASTIC UL 94V-0	BLACK
NO	DESCRIPTION	QTY	MATERIAL	PLATING & COLOR
UNLESS OTHERWISE SPECIFIED TOLERANCES			Singatron Enterprise Co., Ltd. 信音企業股份有限公司	
DECIMALS: .X :±0.25 .XX :±0.15 .XXX :±0.05		ANGLES: X :±3° .X :±2° .XX :±1°		TITLE: 3.5Ø PHONE JACK
DWN		Aaron	PART NO.2SJ3086-009111F	
CHKD		Bruce	SCALE: 4:1	UNIT: mm
APVD		Lussen	SIZE: A3	SHEET: 1 OF 1
REV:A				
CUSTOMER COPY				