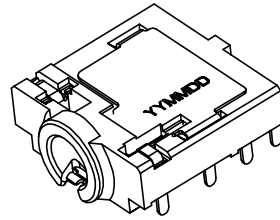
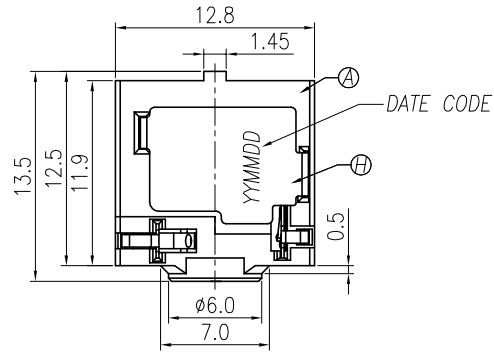
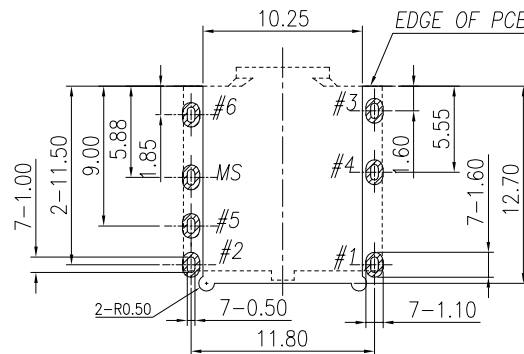
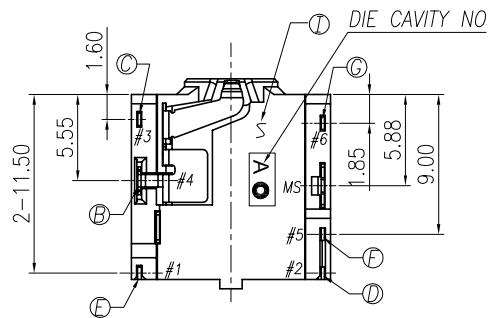
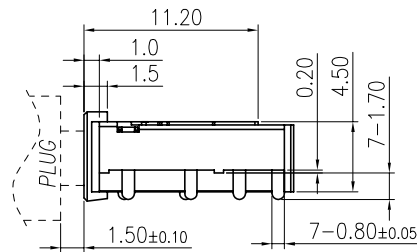
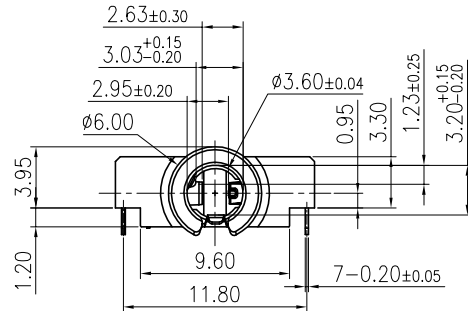


| REV. | ECN NO OR DESCRIPTION | REVISED | DATE |
|------|-----------------------|---------|------------|
| A | PDR No.S130408-10A | ROBIN | 2013.06.20 |
| B | ECN No.S131002 | ANDY | 2014.01.02 |



3D VIEW



RECOMMENDED P.C.B. LAYOUT T=1.20
TOP VIEW (TOLERANCE: ±0.05)

SPECIFICATIONS:

1. ELECTRICAL CHARACTERISTICS:

- 1-1. RATING: 12V 1A
- 1-2. CONTACT RESISTANCE: 50mΩ MAX.
- 1-3. DIELECTRIC WITHSTANDING VOLTAGE: 500V AC FOR ONE MINUTE.
- 1-4. INSULATION RESISTANCE: 100MΩ MIN. MEASURED BY 500V DC

2. MECHANICAL CHARACTERISTICS:

- 2-1. INSERTION FORCE : 0.3~3.0 KGF
- 2-2. WITHDRAWAL FORCE : 0.3~3.0 KGF

3. LIFE TEST: 5,000 CYCLES MIN.

4. OTHER GENERAL SPEC. TO REFER "2SJ3052 SERIES SPEC".

5. TO CONFORM TO THE SINGATRON HAZARDOUS SUBSTANCE FREE SPEC.

- 6. HALOGEN FREE PRODUCT IDENTIFICATION MARK ON JACK:
- 7. HALOGEN FREE PRODUCT IDENTIFICATION LABEL ON PACKAGING:

8. FOR REFLOW SOLDERING LEAD-FREE PROCESS.

- 9. DATE CODE: YYMMDD
Day
Month
Year

| I | SEPARATOR | 1 | HIGH TEMP.THERMOPLASTIC UL 94V-0 | BLACK |
|----|-------------------|-----|-------------------------------------|--|
| H | SHELL | 1 | COPPER ALLOY 0.20T | GOLD FLASH ON SOLDER TAIL, ALL OVER Ni 50 u" Min. |
| G | MAKE TERMINAL | 1 | COPPER ALLOY 0.20T | GOLD FLASH ON CONTACT AREA & SOLDER TAIL ALL OVER Ni 50 u" Min |
| F | TRANSFER TERMINAL | 1 | COPPER ALLOY 0.20T | GOLD FLASH ON CONTACT AREA & SOLDER TAIL ALL OVER Ni 50 u" Min |
| E | TIP SPRING | 1 | COPPER ALLOY 0.20T | |
| D | RING-A SPRING | 1 | COPPER ALLOY 0.25T | |
| C | RING-B SPRING | 1 | COPPER ALLOY 0.20T | |
| B | EARTH SPRING | 1 | COPPER ALLOY 0.20T | |
| A | BODY | 1 | HIGH TEMP.THERMOPLASTIC UL 94V-0 | BLACK |
| NO | DESCRIPTION | QTY | MATERIAL | PLATING & COLOR |

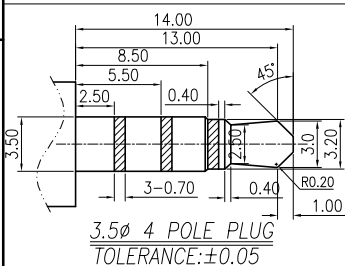
UNLESS OTHERWISE SPECIFIED TOLERANCES

Singatron Enterprise Co., Ltd.
信音企業股份有限公司

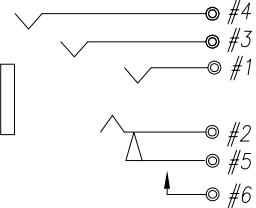
DECIMALS: ANGLES:
X :±0.5 X :±2°
X.X :±0.3 X.X :±1°
X.XX :±0.2

| TITLE | 3.5φ PHONE JACK | | | |
|-------|-----------------|-------------------------|--------------|--------|
| DWN | ANDY | PART NO. 2SJ3052-01111F | | |
| CHKD | CERRY | SCALE 3:1 | UNIT: mm | |
| APVD | MAX | SIZE: A3 | SHEET:1 OF 1 | REV: B |

CUSTOMER COPY



SCHEMATIC



SCHEMATIC (PLUG IN)

