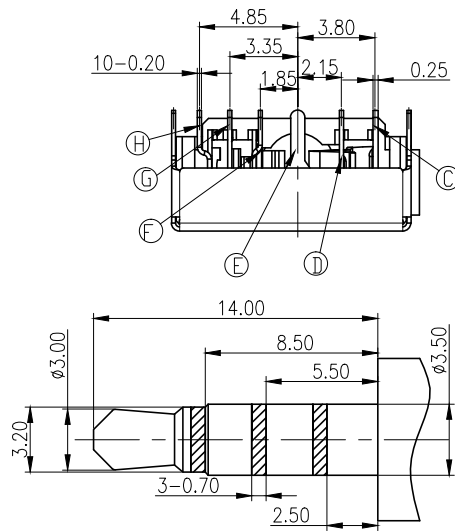
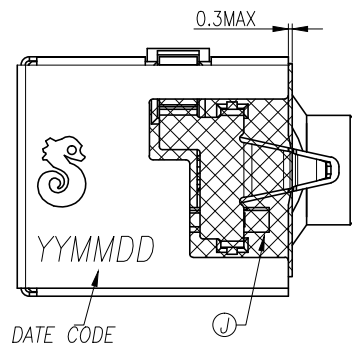


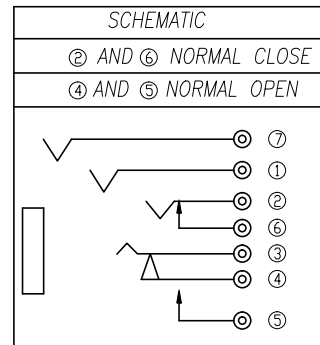
RECOMMENDED PCB LAYOUT
TOP VIEW ; TOL.±0.05



MATING PLUG(TOLERANCE:±0.05)
Ø3.5 4-POLE STANDARD PLUG



DATE CODE



REV.	ECN NO OR DESCRIPTION	REVISED	DATE
A	PDR T141016-2A	Kevin	2015.02.03
B	ECN: S160511-C	JIE-FU	2016.06.30

SPECIFICATIONS:

- ELECTRICAL CHARACTERISTICS:
 - RATING: 12V 1A
 - CONTACT RESISTANCE: 50mΩ MAX.(INITIAL)
 - DIELECTRIC WITHSTANDING VOLTAGE: 500V AC FOR ONE MINUTE.
 - INSULATION RESISTANCE: 100MΩ MIN. MEASURED BY 500V DC
- MECHANICAL CHARACTERISTICS:
 - INSERTION FORCE : 0.3~3.0 KGF
 - WITHDRAWAL FORCE : 0.3~3.0 KGF
- LIFE TEST: 5,000 CYCLES MIN.
- OTHER GENERAL SPEC. TO REFER "2SJ1012 SERIES SPEC".
- TO CONFORM TO SINGATRON HAZARDOUS SUBSTANCE FREE SPEC.
- HALOGEN FREE PRODUCT IDENTIFICATION MARK ON PRODUCT:
- HALOGEN FREE PRODUCT IDENTIFICATION LOGO ON PACKAGING:
- FOR REFLOW SOLDERING LEAD-FREE PROCESS.

J	MYLAR	1	L:10.5*W10.5*T0.06	YELLOW
I	B-TERMINAL	1	PHOSPHOR BRONZE 0.2T	
H	T-TERMINAL	1	PHOSPHOR BRONZE 0.2T	COLD FLASH ON CONTACT AREA; MATTE Sn 120u" ON SOLDER TAIL; ALL OVER Ni 50u"Min.
G	SHUNT TERMINAL	1	PHOSPHOR BRONZE 0.2T	
F	EARTH-B	1	PHOSPHOR BRONZE 0.2T	COLD FLASH ON CONTACT AREA; BRIGHT Sn 120u" ON SOLDER TAIL; ALL OVER Ni 50u"Min.
E	EARTH-A	1	PHOSPHOR BRONZE 0.2T	
D	RING SPRING	1	ALLOY COPPER 0.2T	COLD FLASH ON CONTACT AREA; MATTE Sn 120u" ON SOLDER TAIL; ALL OVER Ni 50u"Min.
C	TIP SPRING	1	PHOSPHOR BRONZE 0.25T	
B	SHELL	1	PHOSPHOR BRONZE 0.25T	Ni 60u"Min.
A	BODY	1	PA4T+30%GF TiTX1-BK UL94V-0 無鹵	BLACK
NO	DESCRIPTION	QTY	MATERIAL	PLATING & COLOR

UNLESS OTHERWISE SPECIFIED TOLERANCES

Singatron Enterprise Co., Ltd.
信音企業股份有限公司

DECIMALS:	ANGLES:	TITLE	Ø3.5 SINKING TYPE AUDIO JACK		
X :±0.5	X :±2°	DWN	JIE-FU	PART NO. 2SJ1012-280111F	
X.X :±0.3	X.X :±1°	CHKD	CERRY	SCALE:4:1	UNIT: mm
X.XX :±0.2		APVD	LUSSEN	SIZE: A3	SHEET:1 OF 1 REV: B
CUSTOMER COPY					