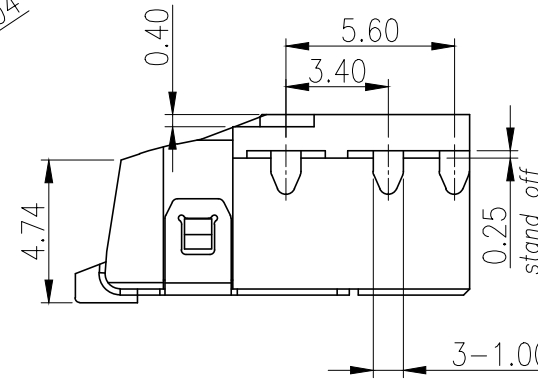
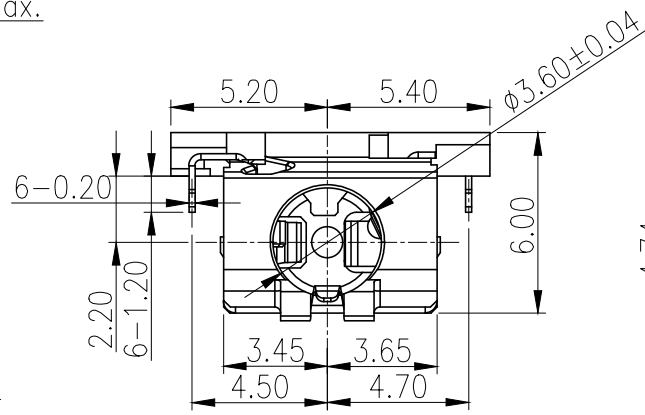
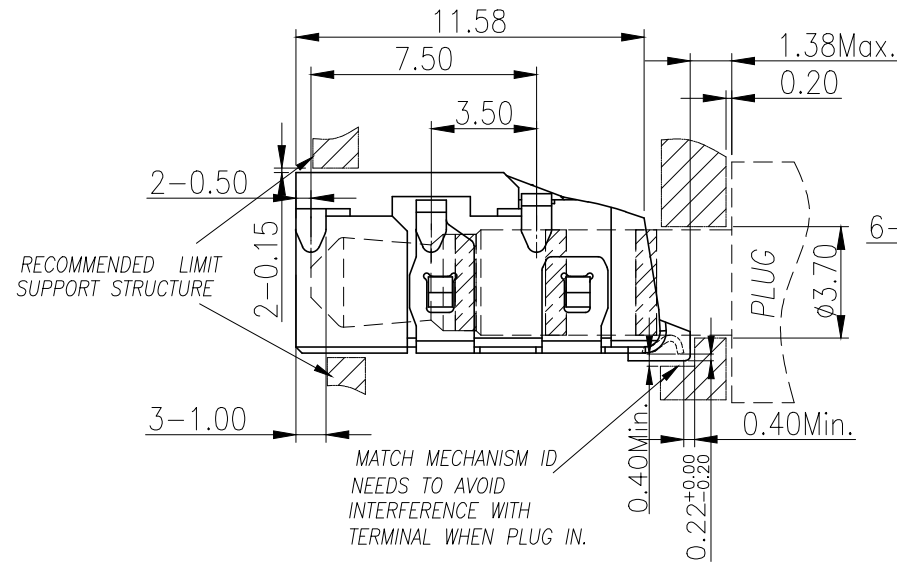
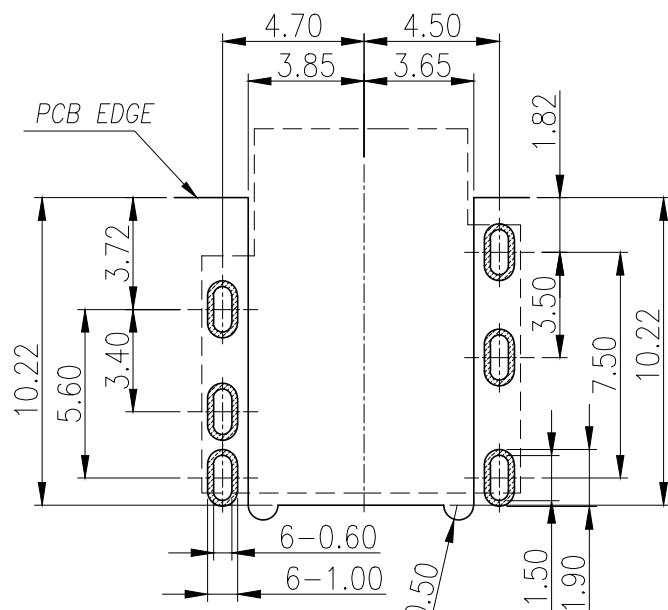


REV.	ECN NO OR DESCRIPTION	REVISED	DATE
A	PDR NO.: T170329-6A	Steven	2018.03.28

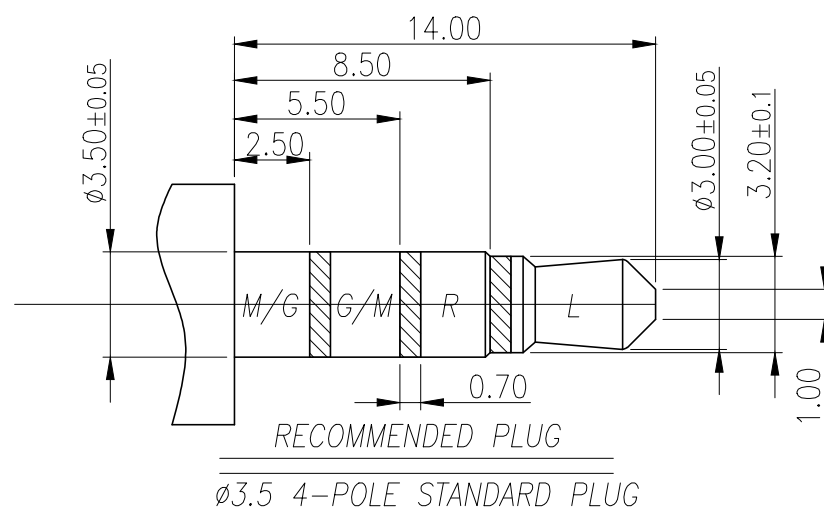
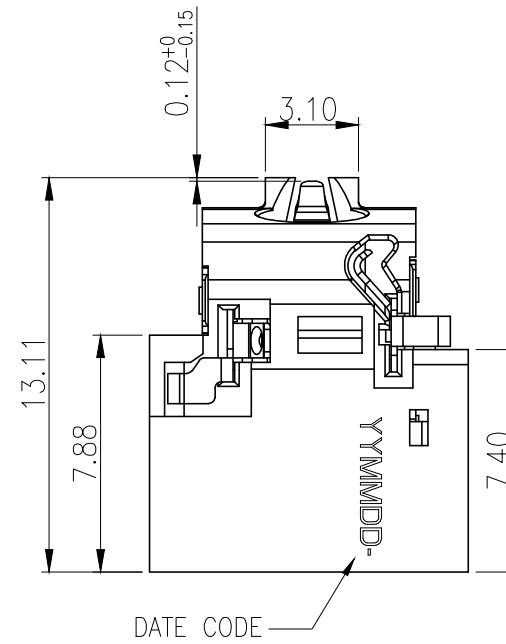
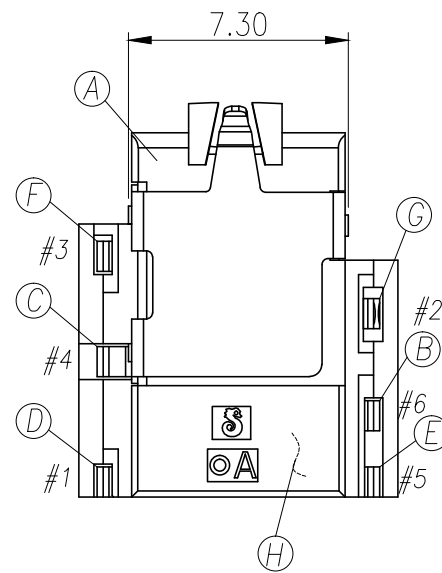


SPECIFICATIONS:

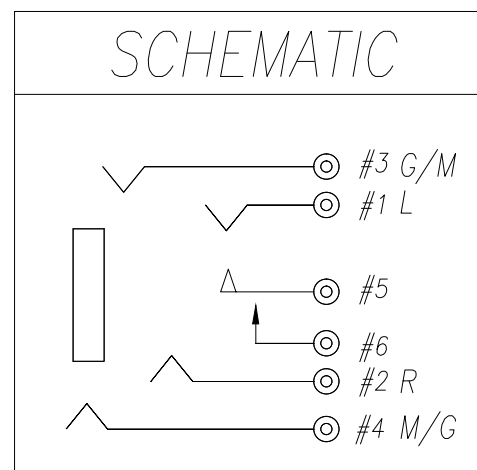
- ELECTRICAL CHARACTERISTICS:
 - RATING: 12V 1A
 - CONTACT RESISTANCE: 50mΩ MAX.(INITIAL)
 - DIELECTRIC WITHSTANDING VOLTAGE: 500V AC FOR ONE MINUTE.
 - INSULATION RESISTANCE: 100MΩ MIN. MEASURED BY 500 VDC.
- MECHANICAL CHARACTERISTICS:
 - INSERTION FORCE: INITIAL 0.3-3.0Kgf;
 - WITHDRAWAL FORCE: INITIAL 0.3-3.0Kgf;
- LIFE TEST: 5,000 CYCLES MIN.
AFTER LIFE TEST, CONTACT RESISTANCE: 100mΩ MAX.
- PACKAGING : TAPE & REEL.
- AFTER HUMIDITY TEST, INSULATION RESISTANCE: 50MΩ MIN.
- TO CONFORM TO SINGATRON HAZARDOUS SUBSTANCE FREE SPEC.
- HALOGEN FREE PRODUCT IDENTIFICATION MARK ON PRODUCT:
- HALOGEN FREE PRODUCT IDENTIFICATION LOGO ON PACKAGING:
- FOR REFLOW SOLDERING LEAD-FREE PROCESS.
- PRINTED DATE CODE "YYMMDD=" ON TOP OF CONNECTOR.



RECOMMENDED PCB LAYOUT(TOP VIEW)
(TOLERANCE: ±0.05)



RECOMMENDED PLUG
3.5 4-POLE STANDARD PLUG



NO	DESCRIPTION	QTY	MATERIAL	PLATING & COLOR
H	SEPARATOR	1	HIGH TEMP.THERMOPLASTIC UL 94V-0	BLACK
G	RING-A	1	PHOSPHOR BRONZE 0.2t	GOLD FLASH ON CONTACT AREA; MATTE-TIN 80u" ON SOLDER TAIL AREA; ALL OVER NI 50u" PLATING.
F	RING-B	1	PHOSPHOR BRONZE 0.2t	
E	TRANSFER	1	PHOSPHOR BRONZE 0.2t	
D	TIP	1	PHOSPHOR BRONZE 0.2t	GOLD FLASH ON CONTACT AREA; GOLD FLASH ON SOLDER TAIL AREA; ALL OVER NI 50u" PLATING.
C	EARTH	1	PHOSPHOR BRONZE 0.2t	
B	MAKE	1	PHOSPHOR BRONZE 0.2t	
A	BODY	1	HIGH TEMP.THERMOPLASTIC UL 94V-0	BLACK

UNLESS OTHERWISE SPECIFIED TOLERANCES

Singatron Enterprise Co., Ltd.
信音企業股份有限公司

DECIMALS:	ANGLES:	TITLE	PART NO. 2SJ3136-001111F		
X :±0.5	X :±2°	DWN Steven	SCALE:4:1	UNIT: mm	
X.X :±0.3	X.X :±1°	CHKD Bruce	SIZE: A3	SHEET:1 OF 1	REV: A
X.XX :±0.2		APVD Liao	CUSTOMER COPY		