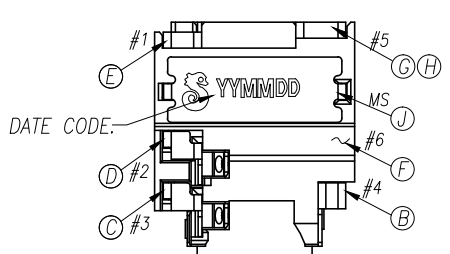
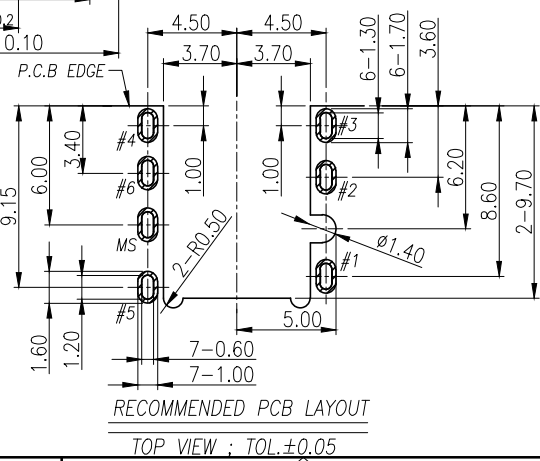
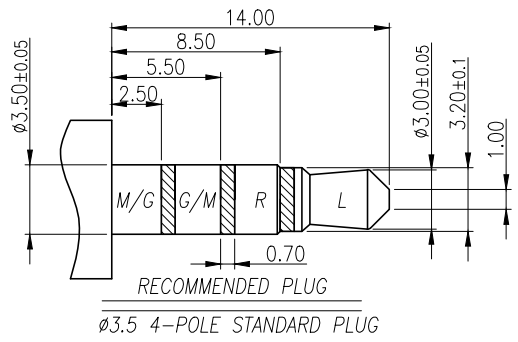
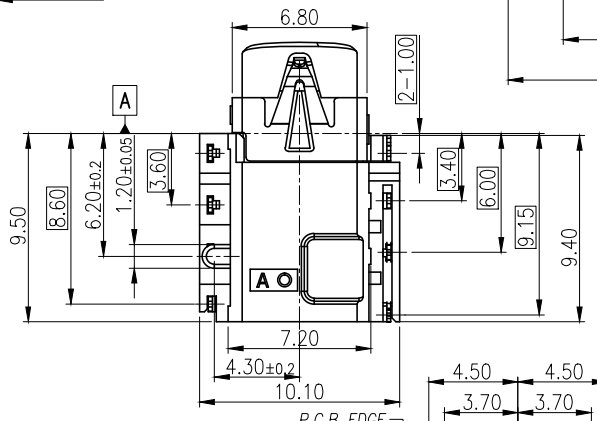
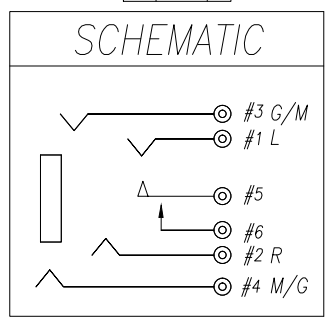
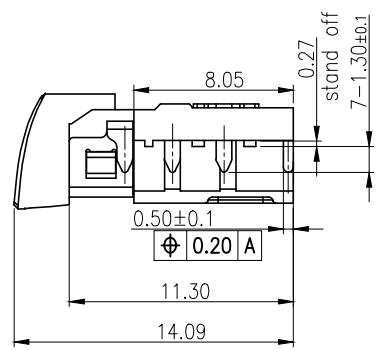
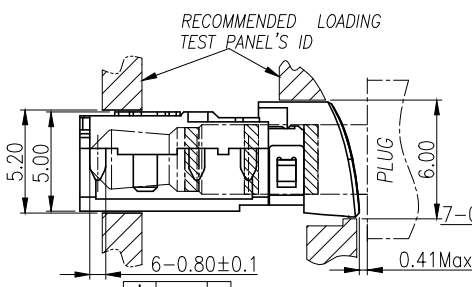


REV.	ECN NO OR DESCRIPTION	REVISED	DATE
A	PDR NO: T160129-1A	Yulin	2016.05.31



SPECIFICATIONS:

- ELECTRICAL CHARACTERISTICS:
 - RATING: 12V 1A
 - CONTACT RESISTANCE: 50mΩ MAX.(INITIAL)
 - DIELECTRIC WITHSTANDING VOLTAGE: 500V AC FOR ONE MINUTE.
 - INSULATION RESISTANCE: 100MΩ MIN. MEASURED BY 500 VDC.
- MECHANICAL CHARACTERISTICS:
 - INSERTION FORCE: 0.5~2.2Kgf AFTER THE FIFTH TIME; 0.4~2.2Kgf AFTER LIFE TEST;
 - WITHDRAWAL FORCE: 0.5~2.0Kgf AFTER THE FIFTH TIME; 0.4~2.0Kgf AFTER LIFE TEST;
- LIFE TEST: 5,000 CYCLES MIN.
AFTER LIFE TEST, CONTACT RESISTANCE: 100mΩ MAX.
- PACKAGING : TAPE & REEL.
- AFTER HUMIDITY TEST, INSULATION RESISTANCE: 50MΩ MIN.
- OTHER GENERAL SPEC TO REFER "AUDIO JACK FOR ASUS SPEC"
- TO CONFORM TO SINGATRON HAZARDOUS SUBSTANCE FREE SPEC.
- HALOGEN FREE PRODUCT IDENTIFICATION MARK ON PRODUCT:
- HALOGEN FREE PRODUCT IDENTIFICATION LOGO ON PACKAGING:
- FOR LEAD-FREE PROCESS.
- PRINTED DATE CODE "YYMMDD" ON TOP OF CONNECTOR.
- OVERLOADING FORCE < 4KGF



J	SHELL	1	SUS304-1/2H 0.2t	GOLD FLASH ALL OVER 50u" IN.
H	SEPARATOR	1	LCP E130; UL 94V-0	BLACK
G	TRANSFER TERMINAL	1	C5210-EH 0.2t	GOLD FLASH ALL OVER 50u" IN.
F	MAKE TERMINAL	1	C5210-EH 0.2t	
E	TIP SPRING	1	SUS304-1/2H 0.2t	
D	RING A	1	C5210-EH 0.2t	
C	RING B	1	C5210-EH 0.2t	
B	EARTH	1	C5210-EH 0.2t	BLACK
A	BODY	1	PA4T+30%GF(TX1) UL 94V-0	
NO	DESCRIPTION	QTY	MATERIAL	PLATING & COLOR

UNLESS OTHERWISE SPECIFIED TOLERANCES		Singatron Enterprise Co., Ltd. 信音企業股份有限公司	
DECIMALS:	ANGLES:	TITLE 3.5ø PHONE JACK	
X :±0.5	X :±2°	DWN Yulin	PART NO.2SJ3160-001111F
X.X :±0.3	X.X :±1°	CHKD Bruce	SCALE 4:1 UNIT: mm
X.XX :±0.2		APVD Lussen	SIZE: A3 SHEET:1 OF 1 REV: A
CUSTOMER COPY			