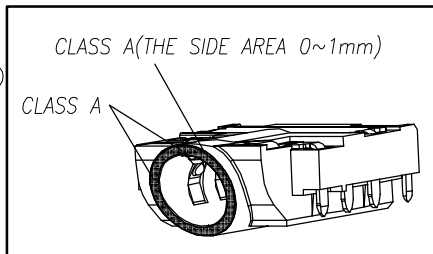
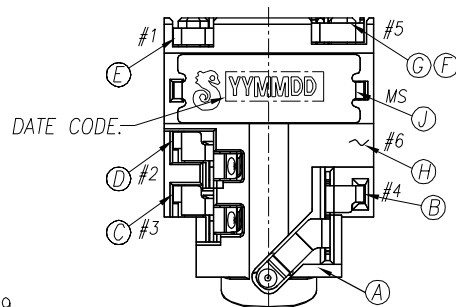
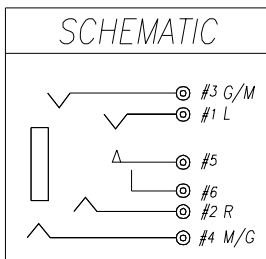
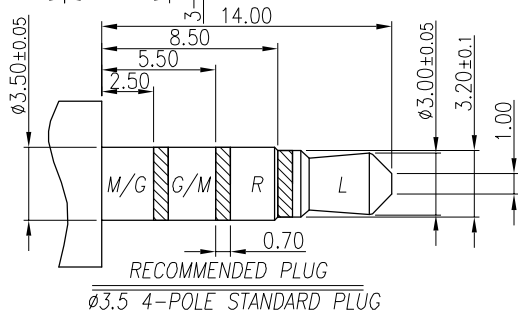
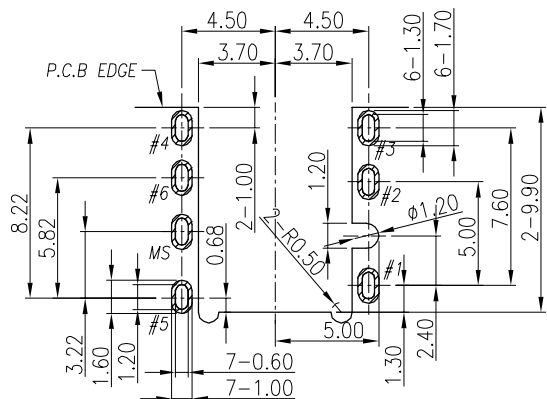
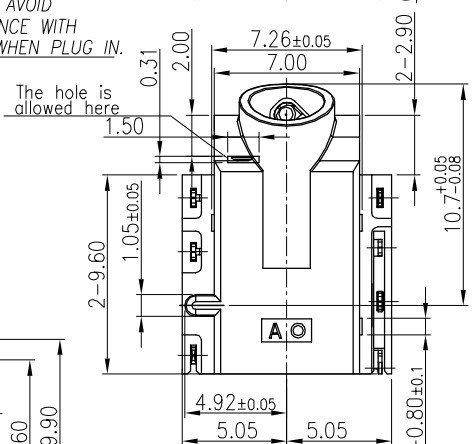
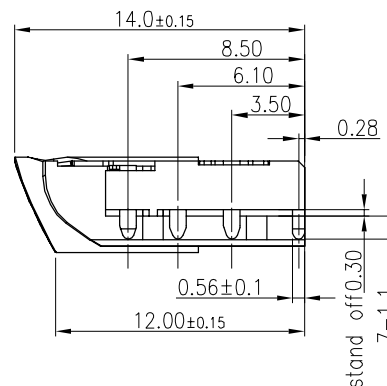
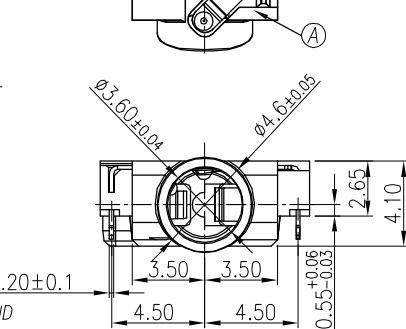
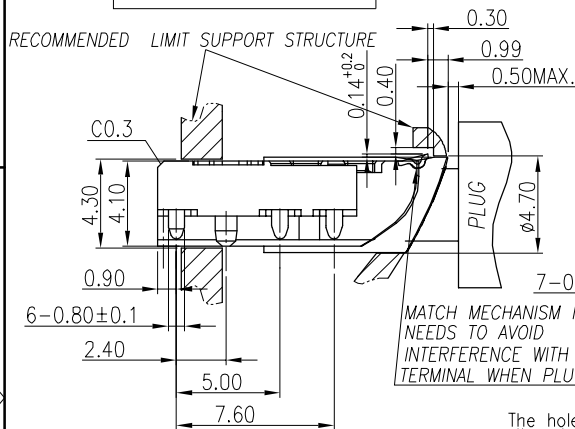


REV.	ECN NO OR DESCRIPTION	REVISED	DATE
A	PDR NO: T170412-4A	Qing	2018.10.08



SPECIFICATIONS:

- ELECTRICAL CHARACTERISTICS:
  - 1-1. RATING: 12V 1A
  - 1-2. CONTACT RESISTANCE: 50mΩ MAX.(INITIAL)
  - 1-3. DIELECTRIC WITHSTANDING VOLTAGE: 500V AC FOR ONE MINUTE.
  - 1-4. INSULATION RESISTANCE: 100MΩ MIN. MEASURED BY 500 VDC.
- MECHANICAL CHARACTERISTICS:
  - 2-1. INSERTION FORCE: 0.3-3.0KgF
  - 2-2. WITHDRAWAL FORCE: 0.3-3.0KgF
- LIFE TEST: 5,000 CYCLES MIN.  
AFTER LIFE TEST, CONTACT RESISTANCE: 120mΩ MAX.
- PACKAGING : TAPE & REEL.
- AFTER HUMIDITY TEST, INSULATION RESISTANCE: 50MΩ MIN.
- TO CONFORM TO SINGATRON HAZARDOUS SUBSTANCE FREE SPEC.
- HALOGEN FREE PRODUCT IDENTIFICATION MARK ON JACK: Ⓢ
- HALOGEN FREE PRODUCT IDENTIFICATION LABEL ON PACKAGING: Ⓢ
- PLEASE PUT THE PRODUCT IN A CONDITION WHERE IS FULL OF NITROGEN WHEN PASS THE IR REFLOW
- THE MOUTH BURRS DO NOT TO EXCEED 0.05mm.



NO	DESCRIPTION	QTY	MATERIAL	PLATING & COLOR
J	SHELL	1	SUS304 1/2H, 0.2T	NICKEL 60μ" PLATING.
H	SEPARATOR	1	HIGH TEMP.THERMOPLASTIC UL 94V-0	BLACK
G	TRANSFER TERMINAL	1	COPPER ALLOY, 0.2T	GOLD FLASH ON CONTACT AREA;
F	MAKE TERMINAL	1	COPPER ALLOY, 0.2T	GOLD FLASH ON SOLDER AREA;
E	TIP SPRING	1	SUS, 0.2T	ALL OVER 60-100μ" Ni.
B	EARTH	1	COPPER ALLOY, 0.2T	Pd/Ni 1-3μ"ON CONTACT AREA;
D	RING A	1	COPPER ALLOY, 0.2T	GOLD FLASH ON SOLDER AREA;
C	RING B	1	COPPER ALLOY, 0.2T	ALL OVER 50μ" Ni.
A	BODY	1	HIGH TEMP.THERMOPLASTIC UL 94V-0	GOLD FLASH ON CONTACT AREA;
				GOLD FLASH ON SOLDER TAIL;
				ALL OVER Ni 50 μ" Min.
				MgFlat Grey(GY71006)
NO	DESCRIPTION	QTY	MATERIAL	PLATING & COLOR

UNLESS OTHERWISE SPECIFIED TOLERANCES		Singatron Enterprise Co., Ltd. 信音企業股份有限公司	
DECIMALS:	ANGLES:	TITLE: 3.5ø Audio Jack	
X : ±0.5	X : ±2°	DWN	Qing
X.X : ±0.3	X.X : ±1°	CHKD	Bruce
X.XX : ±0.2		APVD	Liao
		SCALE	4:1
		UNIT	mm
		SIZE	A3
		SHEET	1 OF 1
		REV	A
CUSTOMER COPY			