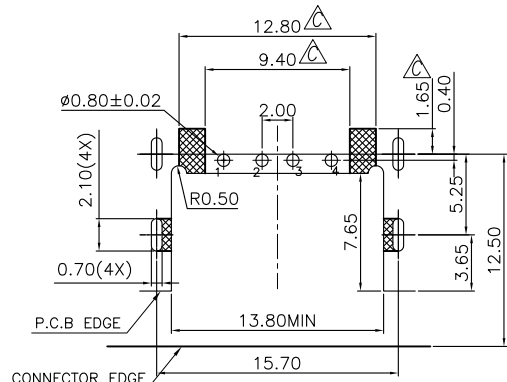
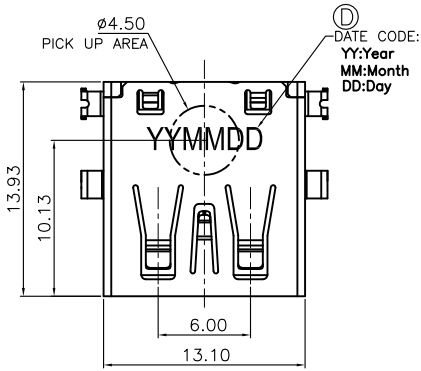


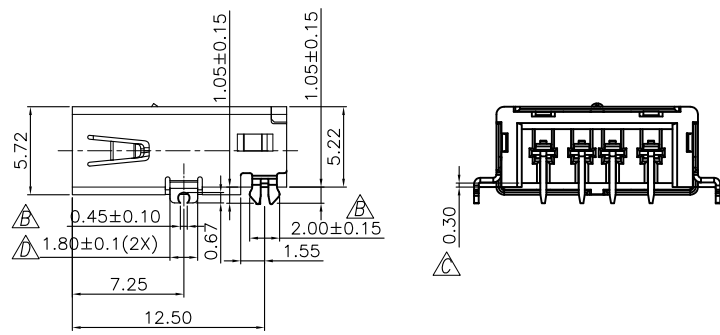
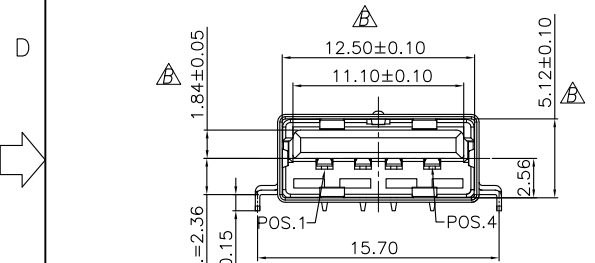
1 2 3 4 5 6 7 8

REV.	ECN NO OR DESCRIPTION	REVISED	DATE
A	PDR RELEASE	IVY-C	2011.12.19
B	ECN NO:L120018	IVY-C	2012.04.18
C	ECN NO:L120056	IVY-C	2012.05.16
D	ECN NO:L120163	IVY-C	2013.03.08



RECOMMENDED P.C.B LAYOUT
 TOLERANCE: $\pm 0.05\text{mm}$ T= 1.20 ± 0.05
 MARKED : STAND OFF AREA

- SPECIFICATIONS:**
- ELECTRICAL CHARACTERISTICS:**
 - 1-1. RATING: 1.5A; 30V.
 - 1-2. CONTACT RESISTANCE: 30m Ω MAX.
 - 1-3. INSULATION RESISTANCE: 1000M Ω MIN. @ 500V DC.
 - 1-4. DIELECTRIC WITHSTANDING VOLTAGE: 500V AC FOR 1 MINUTE.
 - MECHANICAL CHARACTERISTICS:**
 - 2-1. INSERTION FORCE: 35N MAX.
 - 2-2. WITHDRAWAL FORCE: 10N MIN.
 - LIFE TEST:** 5,000 CYCLES MIN.
 - OPERATING TEMPERATURE:** -25°C TO +85°C.
 - OTHER GENERAL SPEC. TO REFER "2UB1588 SERIES SPEC".**
 - TO CONFORM TO THE SINGATRON HAZARDOUS SUBSTANCE FREE SPEC.**
 - HALOGEN FREE PRODUCT IDENTIFICATION LABEL ON PACKAGING:**
 - PACKAGE:** SEE "2UB1587 SERIES" PACKAGE.
 - FOR REFLOW SOLDERING LEAD-FREE PROCESS.**



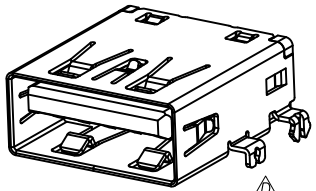
PART NO.
 2UB1588-000111F

SUFFIX: HALOGEN FREE

PACKAGE
 1: TAPE AND REEL

HOUSING COLOR
 1: BLACK

CONTACT PLATING
 1: 3u"Min. Au ON CONTACT AREA,
 100u"Min. MATTE TIN(Sn) PLATING ON SOLDER AREA,
 50u"Min. Ni UNDERPLATING OVERALL



NO	DESCRIPTION	QTY	MATERIAL	PLATING & COLOR
D	INK			BLACK
C	SHELL	1	STAINLESS STEEL	50u"Min. Ni PLATED
B	CONTACT	4	COPPER ALLOY	SEE PART NO.
A	HOUSING	1	HIGH-TEMP THERMOPLASTIC, UL 94V-0	BLACK

UNLESS OTHERWISE SPECIFIED TOLERANCES		Singatron Enterprise Co., Ltd. 信音企業股份有限公司	
DECIMALS:	ANGLES:	TITLE	USB2.0 A TYPE FEMALE, R/A, DIP, SINKING, CH=2.36
X : ± 0.5	X : $\pm 2^\circ$	DWN	IVY-C 2013.03.08 PART NO. 2UB1588-000111F
X.X : ± 0.3	X.X : $\pm 1^\circ$	CHKD	DAWD-1 2013.03.08 SCALE 3.3:1 UNIT: mm
X.XX : ± 0.2		APVD	DAWD-1 2013.03.08 SIZE: A3 SHEET: 1 OF 1 REV: D
CUSTOMER COPY			

1 2 3 4 5 6 7 8