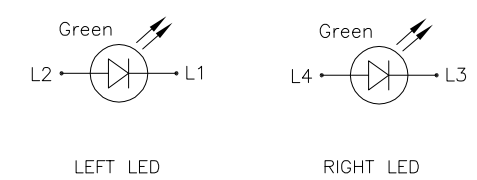


REV.	ECN NO OR DESCRIPTION	REVISED	DATE
A	PDR RELEASE	Even	2017.06.02



Emitting Color	λ_p (nm)	$V_f @ I_f=20mA$	$I_r @ V_r=5V$
Green	565	1.7V~2.6V	10 μ A max.

PART NO.
2TJ1610-011112H

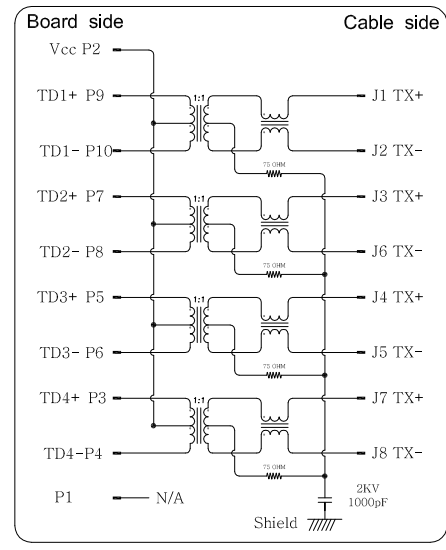
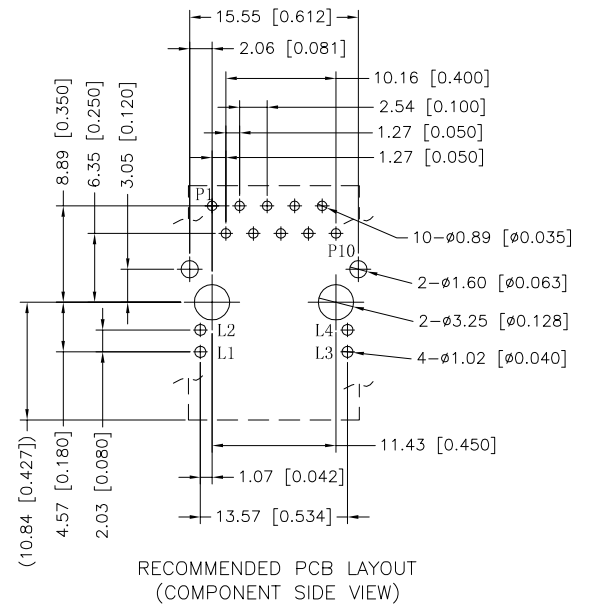
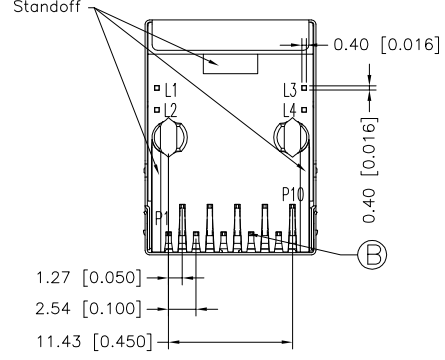
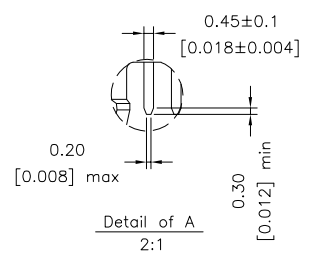
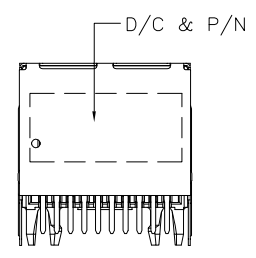
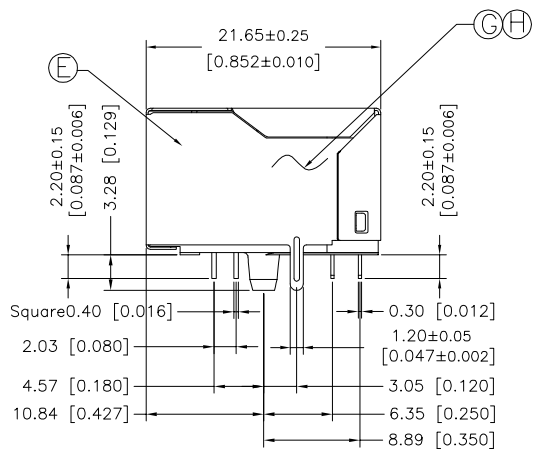
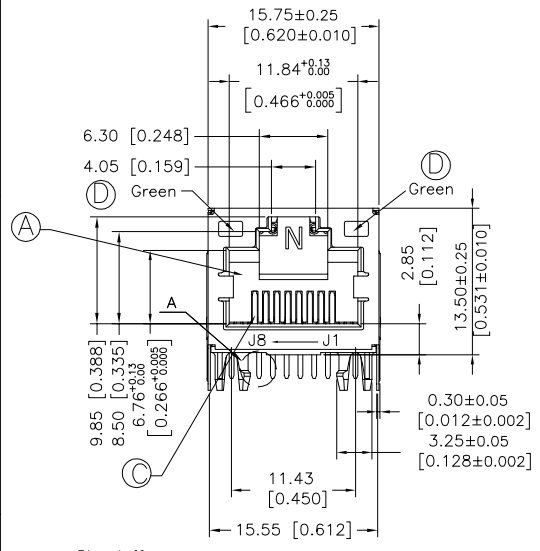
LED COLOR
1: L:GREEN & R: GREEN

SUFFIX: HALOGEN
PACKAGE
2: TRAY
HOUSING COLOR
1: BLACK
CONTACT PLATING
1: GOLD FLASH PLATED ON CONTACT AREA
100 μ " TIN PLATED ON SOLDER AREA.
50~100 μ " NICKEL UNDERPLATED OVERALL

- SPECIFICATION:**
- TO CONFORM TO SINGATRON HAZARDOUS SUBSTANCE FREE SPEC.
 - GREEN PRODUCT IDENTIFICATION LABEL ON PACKAGING: **G.P. PASS**
 - PACKAGE: SEE "2TJ1610-011112H" PACKAGE.
 - FOR WAVE SOLDERING LEAD-FREE PROCESS.
 - MATES WITH MODULAR PLUG CONFORMING TO FCC PART 68, SUBPART F.
 - ELECTRICAL
 - INSULATION RESISTANCE : 500 MOHMS MIN
 - DIELECTRIC WITHSTANDING VOLTAGE : 1500 VAC FOR 1 MINUTE
 - DURABILITY TEST RATING
 - INSERTION FORCE WITH THE LATCH DEPRESSED :22N MAX
 - REMOVAL FORCE WITH THE LATCH DEPRESSED :44N MAX
 - DURABILITY :750 CYCLES
 - OPERATING AND STORAGE TEMPERATURE
 - OPERATING TEMPERATURE : -40°C TO +85°C
 - STORAGE TEMPERATURE : -40°C TO +85°C

ELECTRICAL CHARACTERISTICS :

- INSERTION LOSS :
 - 1~100 MHz -1.0dB MAX.
- RETURN LOSS(LOAD 100 Ω) :
 - 1~30 MHz -18dB MIN
 - 30~60 MHz -16dB MIN
 - 60~80 MHz -12dB MIN
 - 80~100 MHz -10dB MIN
- COMMON MODE REJECTION
 - 1~100 MHz -30dB MIN
- CROSS TALK
 - 1~100 MHz -30dB MIN
- INDUCTANCE @ 100KHz, 0.1V, 8mA DC BIAS
 - (P9-P10),(P7-P8),(P5-P6),(P3-P4) : 350 μ H MIN
- HI-POT TEST
 - PCB SIDE TO CABLE SIDE : 1500VAC 60S OR 2250VDC 60S
- URNS RATION 100KHz
 - (P9-P10) : (J1-J2) = 1:1 \pm 5%
 - (P7-P8) : (J3-J6) = 1:1 \pm 5%
 - (P5-P6) : (J4-J5) = 1:1 \pm 5%
 - (P3-P4) : (J7-J8) = 1:1 \pm 5%
- OTHER GENERAL SPEC. TO REFER "2TJ1610-011112H SPEC".



H	PCB	1		
G	INSERT MOLD	1	LCP UL 94V-0	BLACK
F	CASE	2	LCP UL 94V-0	BLACK
E	SHELL	1	SUS304-1/2H	TIN PLATED ON SOLDER AREA
D	LED	2	LED	GREEN/ GREEN
C	OUTPUT CONTACT	8	C5210	SEE PART NO.
B	INPUT CONTACT	10	C2680	TIN PLATED
A	HOUSING	1	PBT UL 94V-0	BLACK
NO	DESCRIPTION	QTY	MATERIAL	PLATING & COLOR

UNLESS OTHERWISE SPECIFIED TOLERANCES

Singatron Enterprise Co., Ltd.
信音企業股份有限公司

DECIMALS:	ANGLES:	TITLE	RJ45, W/LED, W/MAGNETIC, R/A, W/SHIELD, DIP TYPE	
X :±0.5	X :±2°	DWN	EVEN 2017.06.02	PART NO. 2TJ1610-011112H
X.X :±0.3	X.X :±1°	CHKD	ANGELA 2017.06.02	SCALE 2.5:1 UNIT: mm
X.XX :±0.2		APVD	ANGELA 2017.06.02	SIZE: A3 SHEET: 1 OF 1 REV: A

CUSTOMER COPY