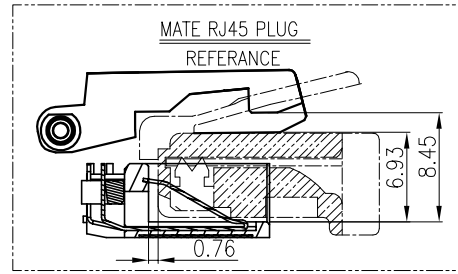
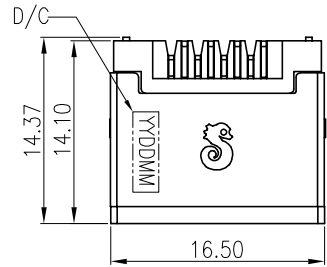
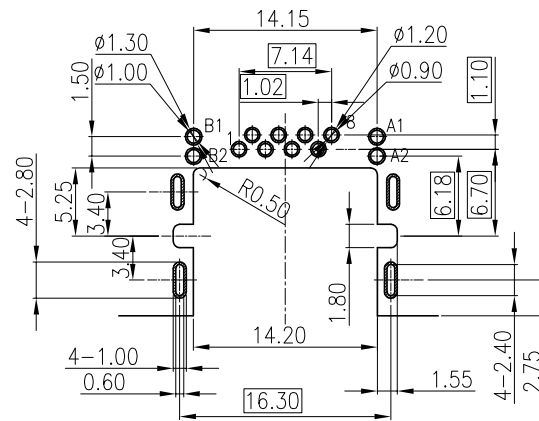
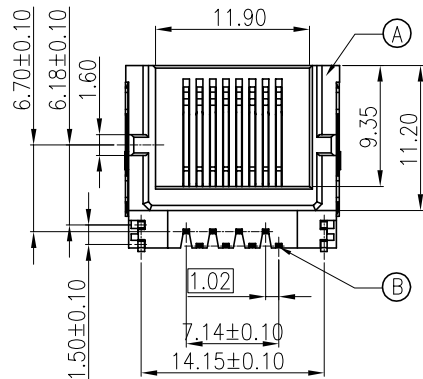
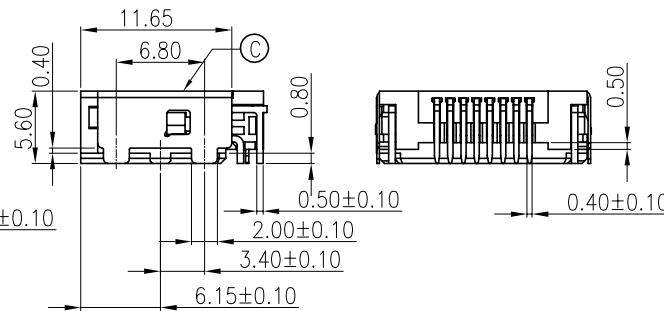
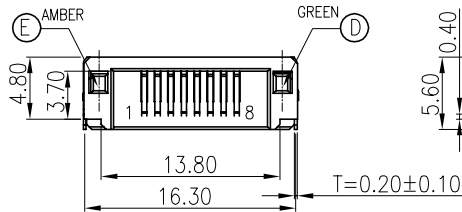


REV.	ECN NO OR DESCRIPTION	REVISED	DATE
A	PDR NO:T130605-4A	ALLEN	2014.03.13



SPECIFICATIONS:

- ELECTRICAL CHARACTERISTICS:
 - CURRENT RATING: 1.5A MAX.
 - VOLTAGE RATING: 150V MAX.
 - CONTACT RESISTANCE : 50mΩ MAX.(INITIAL). 100mΩ MAX.(AFTER LIFE TEST).
 - INSULATION RESISTANCE : 100MΩ MIN.
 - Dielectric Withstanding Voltage : 500 V AC
- MECHANICAL CHARACTERISTICS:
 - DURABILITY: 5000 CYCLES.
 - INSERTION FORCE: 2.25Kg MAX. WITH LATCH DEPRESSED.
 - WITHDRAWAL FORCE: 4.5Kg MAX. WITH LATCH DEPRESSED.
 - OPERATING TEMPERATURE: -30℃ ~ +70℃.
- MARKING: MARK "S" INSIDE OF THE CONNECTOR.
- PACKAGING : TAPE & REEL.
- TO CONFORM TO SINGATRON HAZARDOUS SUBSTANCE FREE SPEC.
- HALOGEN FREE PRODUCT IDENTIFICATION
MARK ON PRODUCT:
- HALOGEN FREE PRODUCT IDENTIFICATION LOGO
ON THE PACKAGING:
- FOR REFLOW SOLDERING LEAD-FREE PROCESS.
- PRINTED DATE CODE "YY MM DD" ON TOP OF THE CONNECTOR.



NODE	COLOR	
A1(+)	A2(-)	GREEN
B1(+)	B2(-)	AMBER

DD: DAY
MM: MONTH
YY: YEAR

RECOMMENDED PCB LAYOUT
TOP VIEW ; TOL.±0.05
(PCB THICKNESS=1.00mm)

E	LED 2	1		AMBER
D	LED 1	1		GREEN
C	SHELL	1	STAINLESS STEEL	NICKEL
B	TERMINAL	8	PHOSPHOR BRONZE	NI PLATING ALL OVER G/F ON CONTACT AREA; Matte Sn 80u" ON SOLDER TAIL; ALL OVER Ni: 50u"MIN.
A	HOUSING	1	HIGH TEMP.THERMOPLASTIC	UL 94V-0 & BLACK
NO	DESCRIPTION	QTY	MATERIAL	PLATING & COLOR
UNLESS OTHERWISE SPECIFIED TOLERANCES			Singatron Enterprise Co., Ltd. 信音企業股份有限公司	
DECIMALS:		ANGLES:		
X	:±0.5	X	:±2°	
X.X	:±0.3	X.X	:±1°	
X.XX	:±0.2			
TITLE	RJ45 JACK			
DWN	ALLEN	PART NO. 2RJ3081-108211F		
CHKD		SCALE 4:1	UNIT: mm	
APVD	JAMES	SIZE: A3	SHEET:1 OF 2	REV: A
CUSTOMER COPY				