

REV.	ECN NO OR DESCRIPTION	REVISED	DATE
A	ECN NO. L100041 2HE-51U1-X01→2HE-51U1-F01	IVY-C	2010.06.21
B	ECN NO:L100168	IVY-C	2011.02.24

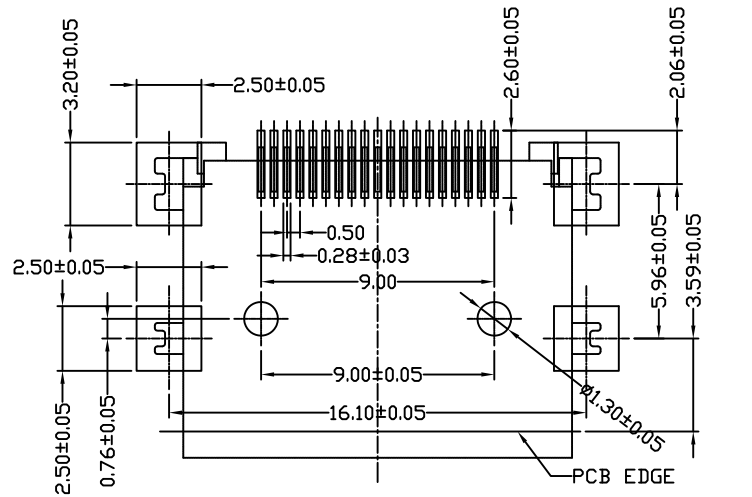
- SPECIFICATIONS:**
1. SEE "2HE-51XX SERIES" SPECIFICATIONS
 2. TO CONFORM TO THE "SE-01-001" & "ROHS DIRECTIVE"
 3. GREEN PRODUCT IDENTIFICATION LABEL IN PACKING: **G.P. PASS**
 4. SOLDER HEAT RESISTANCE : 260°C 10 SECS.
 5. PACKAGE : SEE "2HE-51U1-F01 " PACKAGE.

PART NO.
2HE-51U1-F01

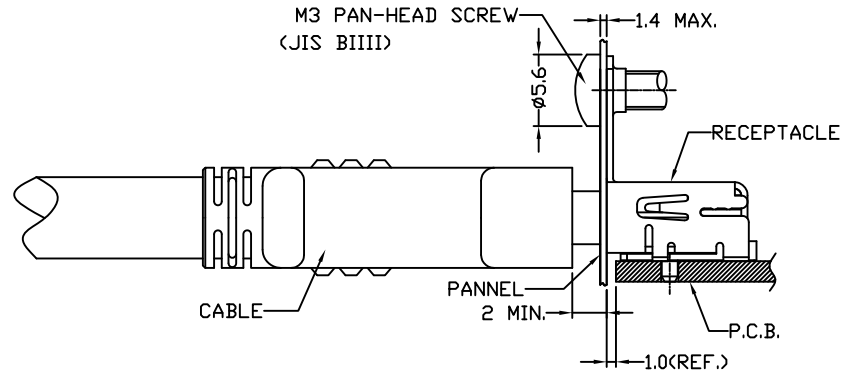
SHELL CONSTRUCTION
1: WITH FLANGE AND TOP SPRING
SOLDER TAIL IS SMT TYPE

E	INK			BLACK COLOR
D	MYLAR	1		
C	SHIELDING	1	BRASS 0.5t	NICKEL PLATING
B	CONTACT	19	PHOSPHOR BRONZE 0.2t	AU 30u" ON MATING AREA TIN PLATING ON SOLDER TAILS, ALL OVER NICKEL PLATING.
A	BODY	1	HIGH TEMP. THERMOPLASTIC UL 94V-0	BLACK COLOR
NO	DESCRIPTION	QTY	MATERIAL	PLATING & COLOR
UNLESS OTHERWISE SPECIFIED TOLERANCES		Singatron Enterprise Co., Ltd. 信音企業股份有限公司		
DECIMALS: ANGLES:		TITLE HDMI TYPE A FEMALE ,SMT, W/T FLANGE		
X	±0.5 X ±2°	DWN	NY-C 2011.02.24	PART NO. 2HE-51U1-F01
X.X	±0.3 X.X ±1°	CHKD	DWD-T 2011.02.24	SCALE:5/1 UNIT: mm
X.XX	±0.2	APVD	DWD-T 2011.02.24	SIZE: A3 SHEET:1 OF 2 REV: B
CUSTOMER COPY				

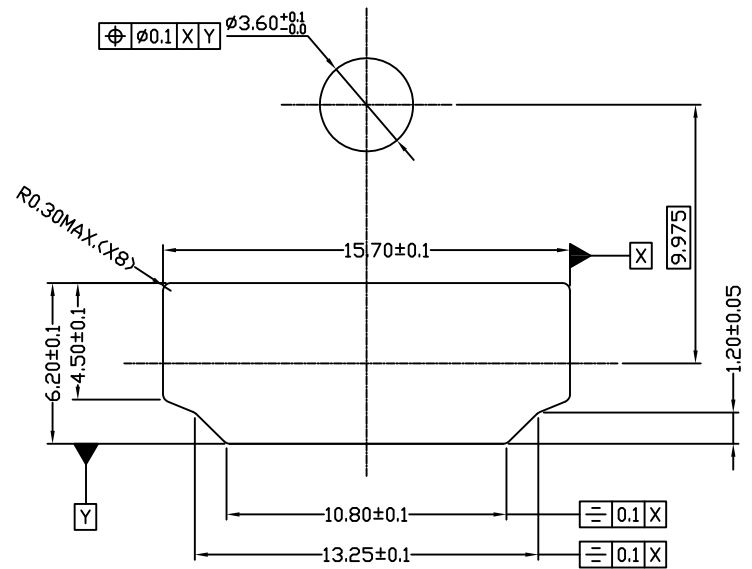
REV.	ECN NO OR DESCRIPTION	REVISED	DATE
A	ECN NO. L100041 2HE-51U1-X01—2HE-51U1-F01	IVY-C	2010.06.21
B	ECN NO:L100168	IVY-C	2011.02.24



RECOMMENDED PCB LAYOUT (THICKNESS=1.6±0.15mm)



REFERENCE MOUNT DIMENSION



REFERENCE PANEL CUT OUT DIMENSION

NO	DESCRIPTION	QTY	MATERIAL	PLATING & COLOR
UNLESS OTHERWISE SPECIFIED TOLERANCES		Singatron Enterprise Co., Ltd. 信音企業股份有限公司		
DECIMALS:	ANGLES:	TITLE	HDMI TYPE A FEMALE ,SMT, W/T FLANGE	
X :±0.5	X :±2°	DWN	NY-C 2011.02.24	PART NO. 2HE-51U1-F01
X.X :±0.3	X.X :±1°	CHKD	DWD-T 2011.02.24	SCALE:5/1 UNIT: mm
X.XX :±0.2		APVD	DWD-T 2011.02.24	SIZE: A3 SHEET:2 OF 2 REV: B
CUSTOMER COPY				