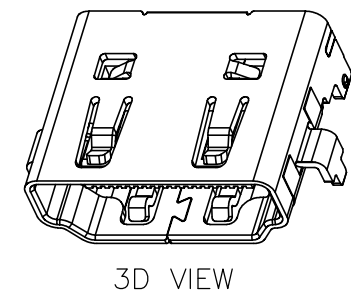
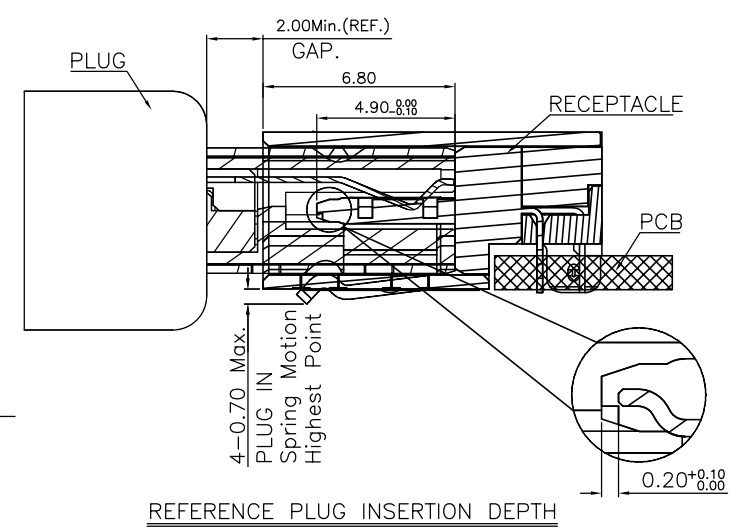
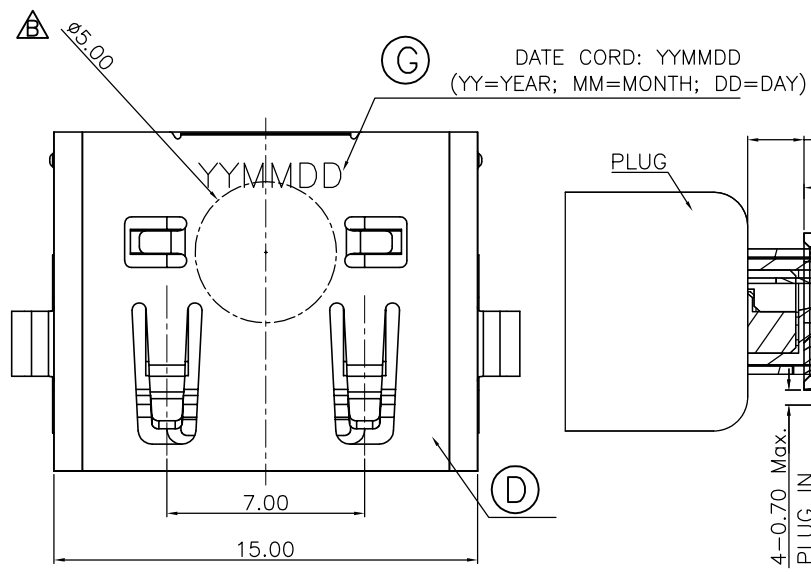


REV.	ECN NO OR DESCRIPTION	REVISED	DATE
A	PDR RELEASE	IVY-C	2014.04.02
B	ECN NO: L170031	EVEN	2017.04.18



SPECIFICATIONS:

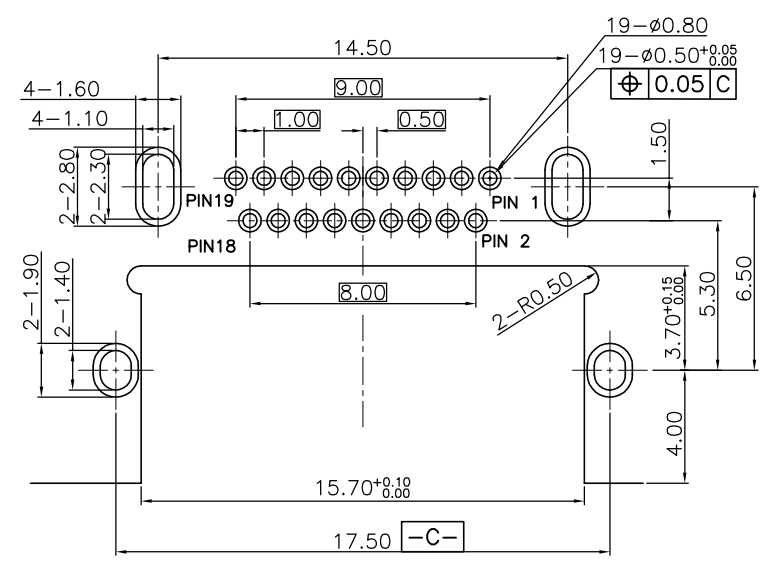
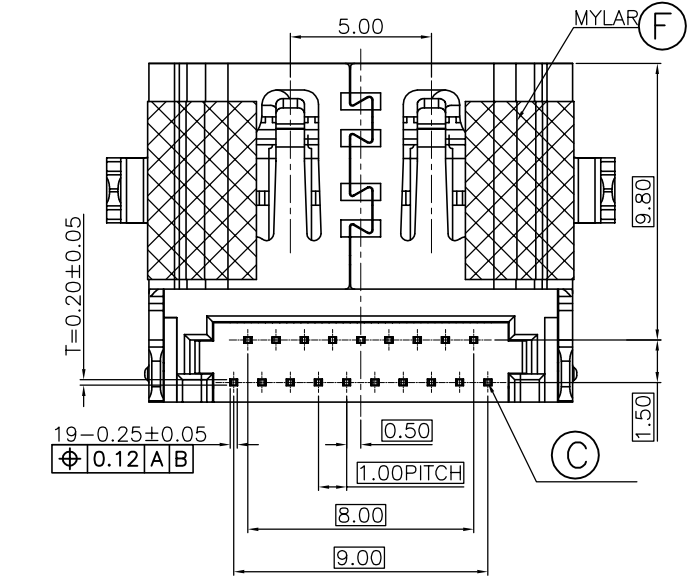
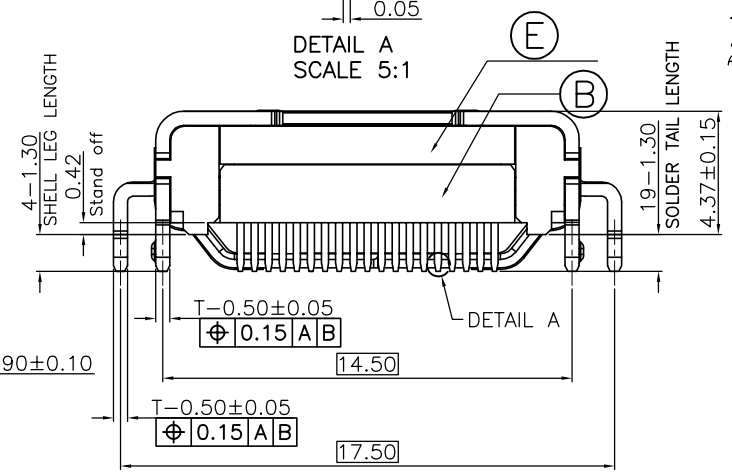
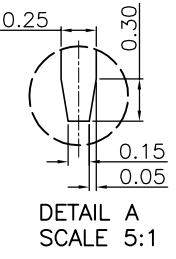
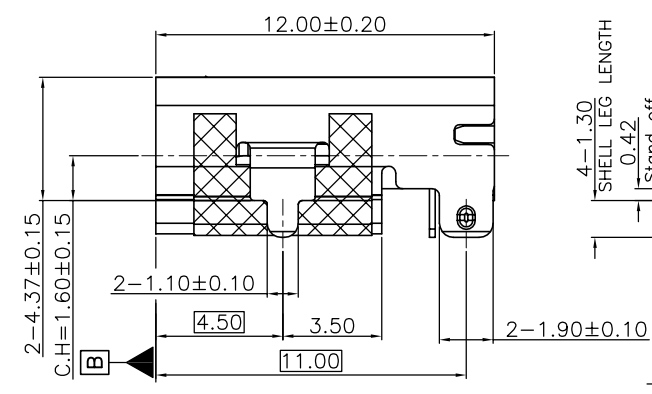
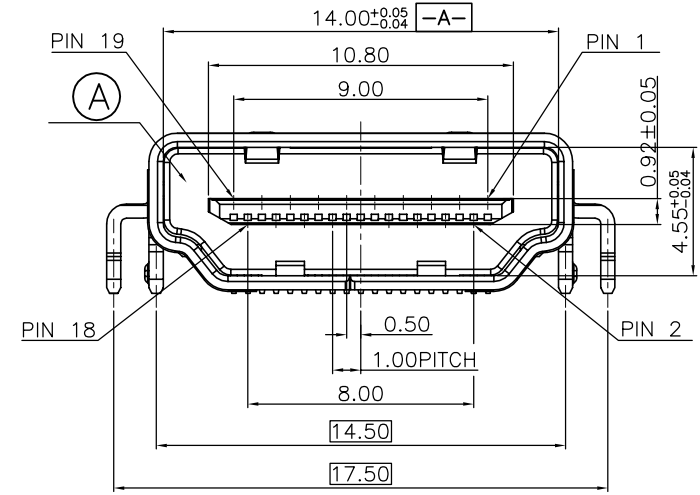
- 1-1. CURRENT RATING: 0.5 AMP.
- 1-2. VOLTAGE RATING: 40V.
- 1-3. INITIAL CONTACT RESISTANCE EXCLUDING CONDUCTOR RESISTANCE: 10mΩ MAX (TARGET DESIGN VALUE). AFTER TEST: Δ30mΩ MAX.
- 1-4. INSULATION RESISTANCE: 100MΩ MIN. @ 500V DC.
- 1-5. DIELECTRIC WITHSTANDING VOLTAGE: 500V AC FOR 1 MINUTE.
2. MECHANICAL CHARACTERISTICS:
  - 2-1. INSERTION FORCE: 4.5Kgf MAX.
  - 2-2. WITHDRAWAL FORCE: 1.0~4.0Kgf.
3. LIFE TEST: 10,000 CYCLES.
4. OTHER GENERAL SPEC. TO REFER "HDMI SERIES SPEC".
5. TO CONFORM TO THE SINGATRON HAZARDOUS SUBSTANCE FREE SPEC.
6. HALOGEN FREE PRODUCT IDENTIFICATION LABEL ON PACKAGING:
7. PACKAGE: SEE "2HE1718 SERIES" PACKAGE.
8. FOR REFLOW SOLDERING LEAD-FREE PROCESS.



PART NO.  
**2HE1718-000X11F**

- SUFFIX: HALOGEN FREE
- PACKAGE 1: TAPE AND REEL
- HOUSING COLOR 1: BLACK

- CONTACT PLATING
- 1: GOLD FLASH ON CONTACT AREA AND GOLD FLASH ON SOLDER AREA
  - 2: Au 30u" ON CONTACT AREA AND GOLD FLASH ON SOLDER AREA
- NICKEL UNDERPLATED OVERALL



RECOMMENDED PCB LAYOUT(TOP VIEW)  
(THICKNESS=1.2±0.10mm)  
(TOLERANCE=±0.03mm)

G	INK			BLACK COLOR
F	MYLAR	2		YELLOW COLOR
E	UP COVER	1	LCP UL 94V-0	BLACK COLOR
D	SHELL	1	SUS 304	NICKEL PLATING
C	CONTACT	19	C2680R-H	GOLD FLASH
B	DOWN COVER	1	LCP UL 94V-0	BLACK COLOR
A	HOUSING	1	LCP UL 94V-0	BLACK COLOR
NO	DESCRIPTION	QTY	△ MATERIAL	PLATING & COLOR

UNLESS OTHERWISE SPECIFIED TOLERANCES		Singatron Enterprise Co., Ltd. 信音企業股份有限公司		
DECIMALS:	ANGLES:	TITLE	HDMI A TYPE FEMALE, DIP, SINKING TYPE, C.H=1.60mm	
X :±0.5	X :±2°	DWN	EVEN 2017.04.18	PART NO. 2HE1718-000X11F
X.X :±0.3	X.X :±1°	CHKD	ANGELA2017.04.18	SCALE: UNIT: mm
X.XX :±0.2		APVD	ANGELA2017.04.18	SIZE: A3 SHEET:1 OF 1 REV: B
CUSTOMER COPY				