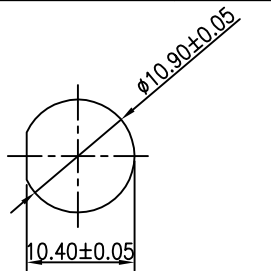
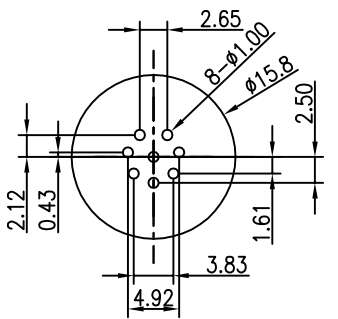


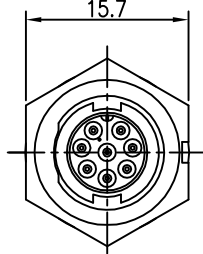
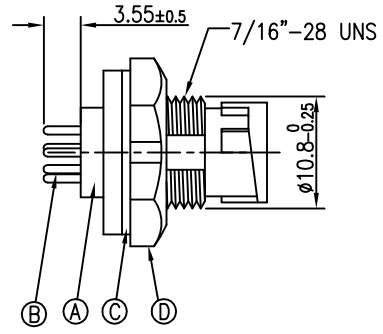
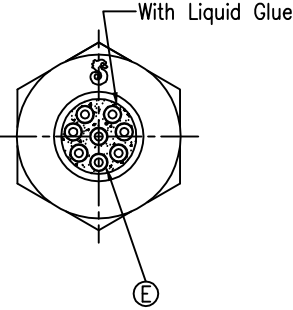
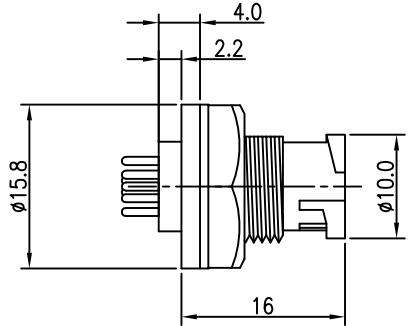
REV.	ECN NO OR DESCRIPTION	REVISED	DATE
A	PDR NO:T100312-1A	HARLEN	2010.03.12
B	ECN NO:S110635	Harlen	2011.6.28



RECOMMENDED PANEL CUT-OUT



PCB Layout



- NOTES:
- WATERPROOF RATE: IP67  
IP67: IMMERSED IN 1M WATER FOR 30 MINUTES
  - ELECTRICAL CHARACTERISTICS  
TEMPERATURE RANGE: -40°C TO +100°C  
CURRENT RATING: 2A  
DIELECTRIC WITHSTANDING VOLTAGE: 500V AC FOR ONE MINUTE
  - SPECIFICATIONS:SEE "CIRCULAR SERIES SPECIFICATIONS".
  - TO CONFORM TO SINGATRON HAZARDOUS SUBSTANCE FREE SPEC.
  - GREEN PRODUCT IDENTIFICATION LABEL ON PACKAGING: G.P. PASS
  - FOR PANEL THICKNESS MAX OF 3.2mm

E	LIQUID GIUE	1		BLACK
D	NUT	1	NYLON+GF	BLACK
C	GASKET	1	EPDM	BLACK
B	MALE PIN	8	BRASS	6u" GOLD PLATING OVER NICKEL PLATING
A	BODY	1	NYLON+GF	BLACK
NO	DESCRIPTION	QTY	MATERIAL	PLATING & COLOR

UNLESS OTHERWISE SPECIFIED TOLERANCES		Singatron Electronic(China) Co., Ltd. 信音電子(中國)股份有限公司	
DECIMALS:	ANGLES:	TITLE	CIRCULAR MINI SIZE (PCB/LOCK TYPE) MALE CONN. MALE 8PIN(2A) LOCK TYPE
X :±0.5	X :±2°	DWN	Harlen 2011.7.5 PART NO.2CN3000-X08200
X.X :±0.3	X.X :±1°	CHKD	Steve 2011.7.5 SCALE 2:1 UNIT: mm
X.XX :±0.2		APVD	Max 2011.7.5 SIZE: A3 SHEET:1 OF 1 REV:B
<b>CUSTOMER COPY</b>			