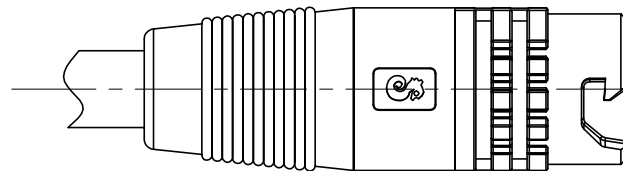
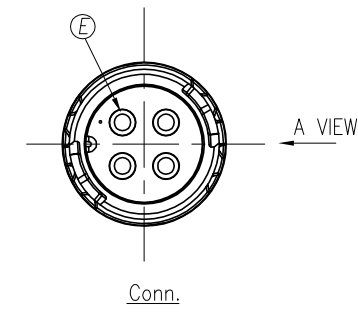
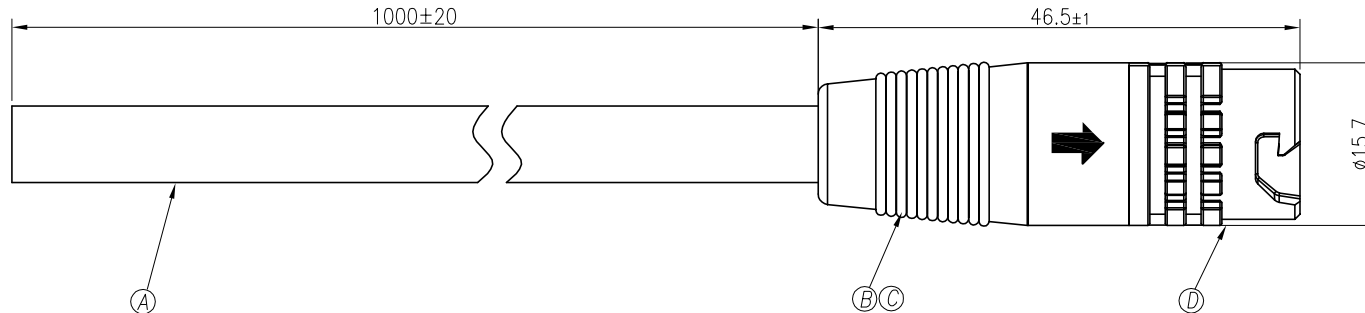
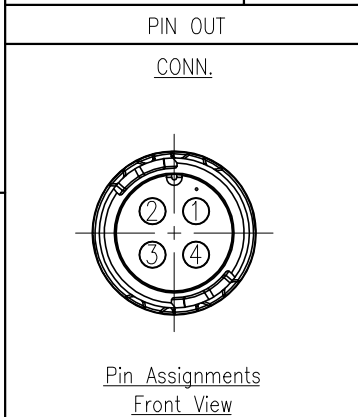


REV.	ECN NO OR DESCRIPTION	REVISED	DATE
1	PDR NO.:S131231-5A	Lx-Wu	2014.02.14



BLACK	4
YELLOW/GREEN	3
BLUE	2
BROWN	1
WIRE COLOR	CONN.



NOTES:

- ELECTRICAL CHARACTERISTICS:
  - 1-1 CURRENT RATING: 10 AMPS.
  - 1-2 CONTACT RESISTANCE: 3 Ohm Max.
  - 1-3 INSULATION RESISTANCE: 100 MOhm Min. at 500VDC.
  - 1-4 BREAKDOWN VOLTAGE: 1000VAC PER MINUTE.
- ENVIRONMENTAL:
  - 2-1 OPERATING TEMPERATURE: -20°C TO +80°C.
  - 2-2 SEALING REQUIREMENTS: IP67.
- LIFE TEST: 1,000 CYCLES MIN..
- OTHER GENERAL SPEC TO REFER "QUICK SERIES GENERAL SPEC".
- FOR TECHNICAL DATA REFER TO YOUR LOCAL SINGATRON ELECTRONICS SALES OFFICE.
- ALL DIMENSIONS ARE NOMINAL FOR REFERENCE ONLY UNLESS OTHERWISE STATED.
- TO CONFORM TO SINGATRON HAZARDOUS SUBSTANCE FREE SPEC.
- GREEN PRODUCT IDENTIFICATION LABEL ON PACKAGING: **G.P. PASS**.

E	MALE PIN	4	COPPER ALLOY	1~3u" GOLD PLATING OVER NICKEL PLATING
D	BODY	1	PA66	BLACK
C	INNER MOLD	1	PVC	BLACK
B	OVER MOLD	1	TPU	BLACK
A	CABLE	1	IEC 60245 57(YZW) 4x0.75mm <sup>2</sup>	BLACK RUBBER JACKET
NO	DESCRIPTION	QTY	MATERIAL	PLATING & COLOR

UNLESS OTHERWISE SPECIFIED TOLERANCES

DECIMALS:	ANGLES:
X :±0.5	X :±2°
X.X :±0.3	X.X :±1°
X.XX :±0.2	

**Sscconn** Singatron Electronic(China) Co., Ltd.  
Waterproof Connectors 信音電子(中國)股份有限公司

TITLE	CIRCULAR SERIES QUICK TYPE STANDARD SIZE MALE CONN.MALE 4PIN (180°,IP67)		
DWN	PART NO.2QT3024-X04400H		
CHKD	SCALE 2:1	UNIT: mm	⊕
APVD	SIZE: A3	SHEET: 1 OF 1	REV:1

CUSTOMER COPY