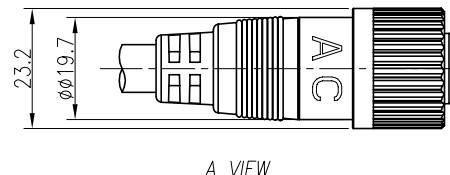
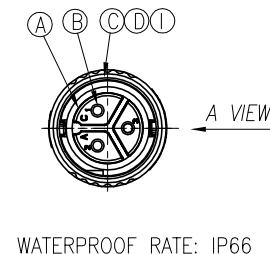
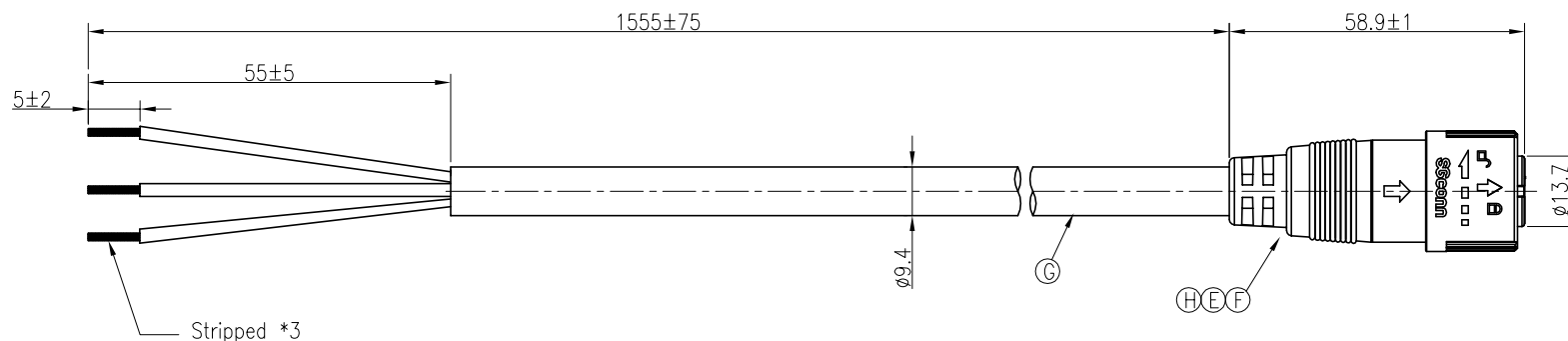
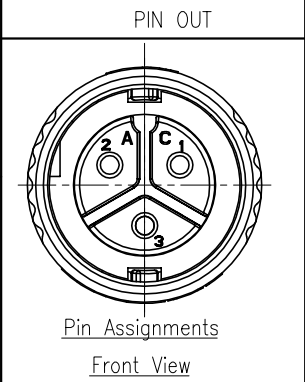


REV.	ECN NO OR DESCRIPTION	REVISED	DATE
	PDR NO.:S131104-4E	Lx-Wu	2014.02.08



YELLOW/GREEN	3
BLUE	2
BROWN	1
WIRE COLOR	CONN.



- NOTES:
1. WATERPROOF RATE: IP66(WHEN PROPERLY MATED)
  2. CURRENT RATING: 10A
  3. SPECIFICATIONS:SEE "CIRCULAR SERIES SPECIFICATIONS".
  4. TO CONFORM TO SINGATRON HAZARDOUS SUBSTANCE FREE SPEC.
  5. GREEN PRODUCT IDENTIFICATION LABEL ON PACKAGING: **G.P. PASS**

I	SPRING	1	SUS	N/A
H	LIQUID GLUE	1	N/A	N/A
G	CABLE( 客供 )	1	ZR-BW 3*1.5mm (CONDUCTOR 1/1.38)	BLACK(RUBBER JACKET)
F	INNER MOLD	1	ABS 94V-0	NATURAL
E	OVER MOLD	1	PVC VW-1	BLACK
D	O-RING	1	EPDM	BLACK
C	LOCK NUT	1	PA66+30%GF 94V-0	BLACK
B	FEMALE PIN	3	Phosphor Bronze	(1~3)u" GOLD PLATING OVER NICKEL PLATING
A	BODY	1	PA66+25%GF	BLACK
NO	DESCRIPTION	QTY	MATERIAL	PLATING & COLOR

UNLESS OTHERWISE SPECIFIED TOLERANCES

DECIMALS: X :±0.5 X.X :±0.3 X.XX :±0.2

ANGLES: X :±2° X.X :±1°

**Sscconn** Singatron Electronic(China) Co., Ltd.  
信音電子(中國)股份有限公司

TITLE: CIRCULAR MIDDLE SIZE (IP66) FEMALE CONN. FEMALE 3 PIN QUICK TYPE

DWN: Lx-Wu **PART NO.2QM3004-X03401H**

CHKD: SCALE 1:1 UNIT: mm

APVD: SIZE: A3 SHEET: 1 OF 1 **REV:**

**CUSTOMER COPY**