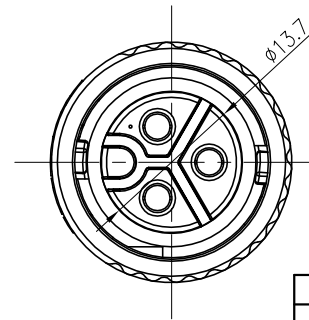
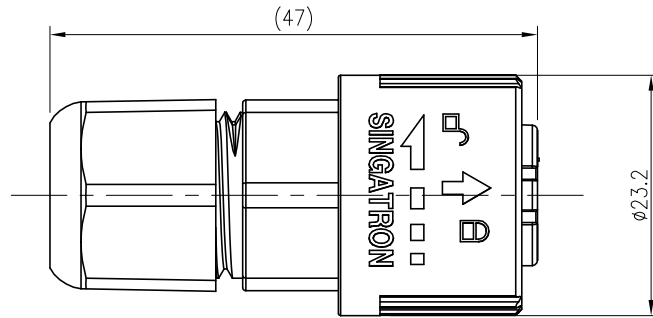
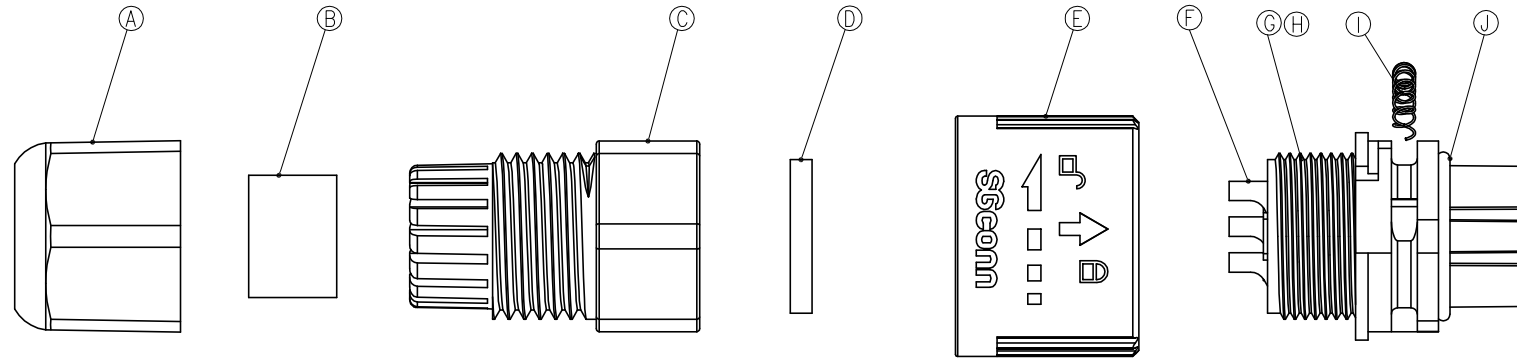


REV.	ECN NO OR DESCRIPTION	REVISED	DATE
1	PDR NO.:S131104-4D	Lx-Wu	2013.12.26

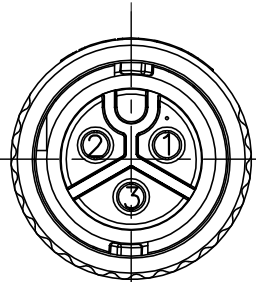


NOTES:

- ELECTRICAL CHARACTERISTICS:
  - CURRENT RATING: 20 AMPS.
  - CONTACT RESISTANCE: 30 mOhm Max.
  - INSULATION RESISTANCE: 100 MOhm Min. at 500VDC.
  - BREAKDOWN VOLTAGE: 1000 VAC PER MINUTE.
- MECHANICAL CHARACTERISTICS:
  - TIGHTENING TORQUES: 1.0~1.2Nm(8.85~10.62lbf.in.).
  - MECHANICAL CHARACTERISTICS: CONTACT ACCOMMODATION: 18~20 AWG.
- ENVIRONMENTAL:
  - OPERATING TEMPERATURE: -40°C TO +105°C.
  - SEALING REQUIREMENTS: IP67.
- SEAL FOR CABLE OD: ø6.0mm~ø9.0mm.
- LIFE TEST: 1,000 CYCLES MIN.
- OTHER GENERAL SPEC TO REFER "QUICK SERIES GENERAL SPEC".
- FOR TECHNICAL DATA REFER TO YOUR LOCAL SINGATRON ELECTRONICS SALES OFFICE.
- ALL DIMENSIONS ARE NOMINAL FOR REFERENCE ONLY UNLESS OTHERWISE STATED.
- TO CONFORM TO SINGATRON HAZARDOUS SUBSTANCE FREE SPEC.
- GREEN PRODUCT IDENTIFICATION LABEL ON PACKAGING **[G.P. PASS]**

NO	DESCRIPTION	QTY	MATERIAL	PLATING & COLOR
J	O-RING	1	SILICONE	BLUE
I	SPRING	1	SUS	N/A
H	BODY	1	PA66	BLACK
G	LIQUID GLUE	1	N/A	BLACK
F	FEMALE PIN	3	COPPER ALLOY	1~3u" GOLD PLATING OVER NICKEL PLATING
E	LOCK NUT	1	PC	GRAY
D	GASKET	1	EPDM	BLACK
C	CLAMP RING	1	PC	BLACK
B	SEAL	1	EPDM	BLACK
A	SEALING NUT	1	PC	BLACK

UNLESS OTHERWISE SPECIFIED TOLERANCES		Singatron Electronic(China) Co., Ltd. 信音電子(中國)股份有限公司		
DECIMALS:	ANGLES:	TITLE	CIRCULAR SERIES MIDDLE SIZE (SOLDER TYPE)	
X :±0.5	X :±2°	DWN	FEMALE CONN. FEMALE 3 PIN(20A)	
X.X :±0.3	X.X :±1°	CHKD	Lx-Wu	<b>PART NO.2QM3032-X03600H</b>
X.XX :±0.2		APVD	SCALE 2:1	UNIT: mm
			SIZE: A3	SHEET: 1 OF 1
				<b>REV:1</b>
<b>CUSTOMER COPY</b>				



Pin Assignments  
Front View