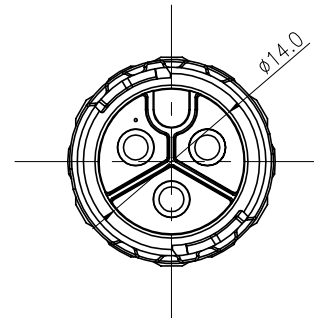
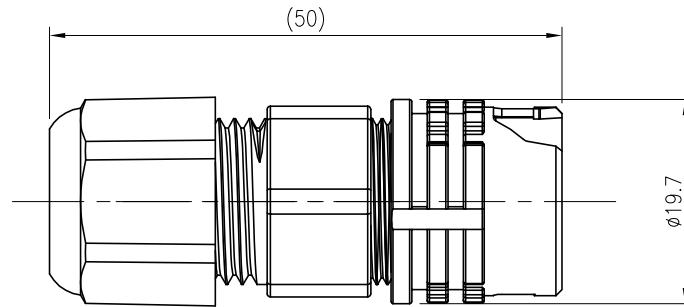
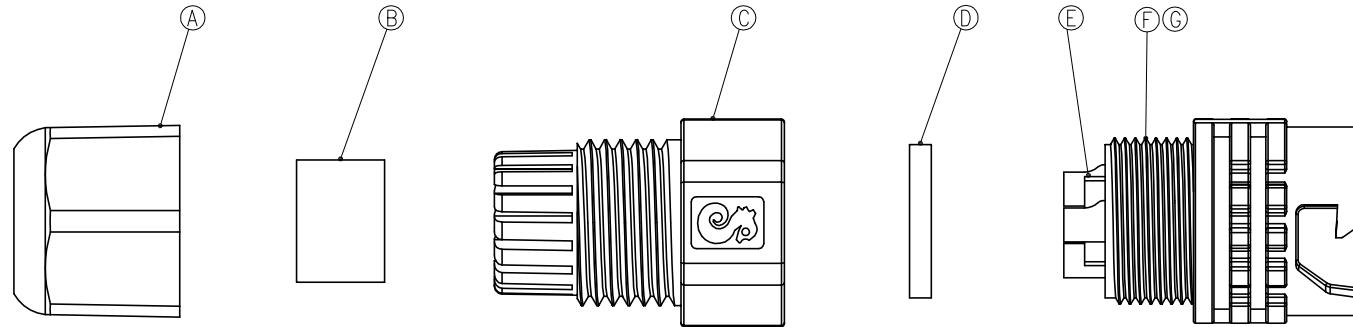


REV.	ECN NO OR DESCRIPTION	REVISED	DATE
1	PDR NO.:S131104-4H	Lx-Wu	2013.12.26



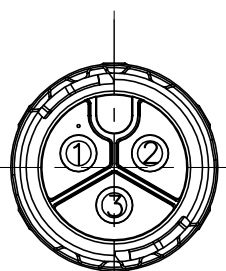
NOTES:

- ELECTRICAL CHARACTERISTICS:
 - CURRENT RATING: 20 AMPS.
 - CONTACT RESISTANCE: 30 mOhm Max.
 - INSULATION RESISTANCE: 100 MOhm Min. at 500VDC.
 - BREAKDOWN VOLTAGE: 1000 VAC PER MINUTE.
- MECHANICAL CHARACTERISTICS:
 - TIGHTENING TORQUES: 1.0~1.2Nm(8.85~10.62lbf.in.).
 - MECHANICAL CHARACTERISTICS: CONTACT ACCOMMODATION: 18~20 AWG.
- ENVIRONMENTAL:
 - OPERATING TEMPERATURE: -40°C TO +105°C.
 - SEALING REQUIREMENTS: IP67.
- SEAL FOR CABLE OD: $\phi 6.0\text{mm} \sim \phi 9.0\text{mm}$.
- LIFE TEST: 1,000 CYCLES MIN.
- OTHER GENERAL SPEC TO REFER "QUICK SERIES GENERAL SPEC".
- FOR TECHNICAL DATA REFER TO YOUR LOCAL SINGATRON ELECTRONICS SALES OFFICE.
- ALL DIMENSIONS ARE NOMINAL FOR REFERENCE ONLY UNLESS OTHERWISE STATED.
- TO CONFORM TO SINGATRON HAZARDOUS SUBSTANCE FREE SPEC.
- GREEN PRODUCT IDENTIFICATION LABEL ON PACKAGING **[G.P. PASS]**

NO	DESCRIPTION	QTY	MATERIAL	PLATING & COLOR
G	BODY	1	PA66 A63V0GV25	BLACK
F	LIQUID GLUE	1	N/A	BLACK
E	MALE PIN	3	COPPER ALLOY	1~3u" GOLD PLATING OVER NICKEL PLATING
D	GASKET	1	EPDM	BLACK
C	CLAMP RING	1	PC	BLACK
B	SEAL	1	EPDM	BLACK
A	SEALING NUT	1	PC	BLACK

UNLESS OTHERWISE SPECIFIED TOLERANCES		Singatron Electronic(China) Co., Ltd. 信音電子(中國)股份有限公司	
DECIMALS:	ANGLES:	TITLE CIRCULAR SERIES MIDDLE SIZE (SOLDER TYPE)	
X :±0.5	X :±2°	MALE CONN. MALE 3 PIN(20A)	
X.X :±0.3	X.X :±1°	DWN	Lx-Wu PART NO.2QM3033-X03600H
X.XX :±0.2		CHKD	SCALE 2:1 UNIT: mm
		APVD	SIZE: A3 SHEET: 1 OF 1 REV:1

CUSTOMER COPY



Pin Assignments
Front View