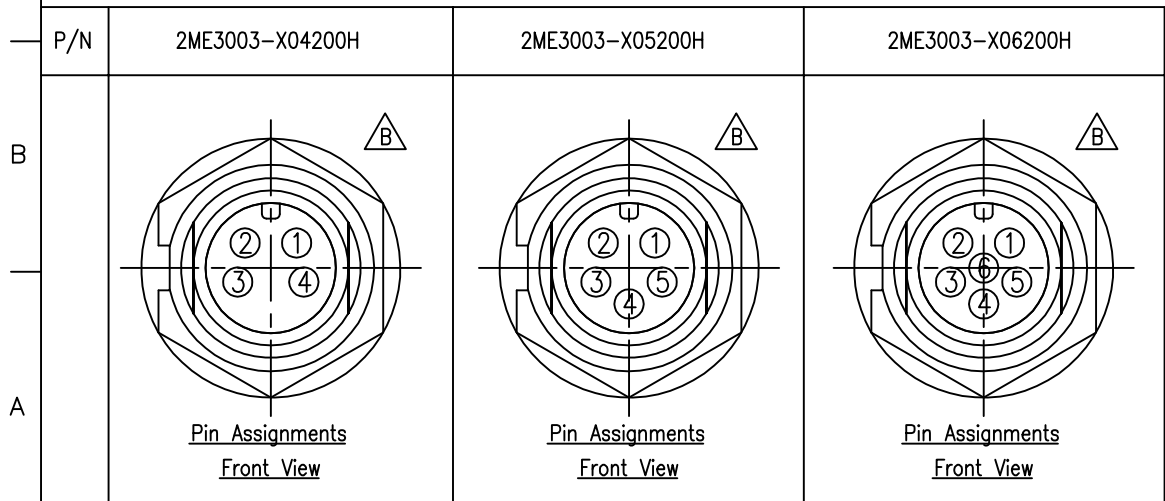
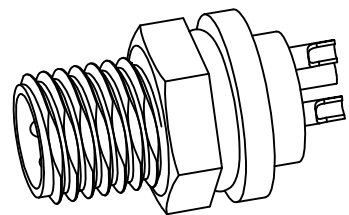


REV.	ECN NO OR DESCRIPTION	REVISED	DATE
A	PDR NO.:T110613-1A	Shawn	2011.09.29
B	ECN NO.:S120424	Shawn	2012.04.06
C	ECN NO.:S130584	Shawn	2013.06.06

NOTES:

1. WATERPROOF RATE: IP67
IP67: IMMERSED IN 1M WATER FOR 30 MINUTES
2. ELECTRICAL CHARACTERISTICS
TEMPERATURE RANGE: -40°C TO +100°C
RATING: 60V AC/DC 2A
3. SPECIFICATIONS:SEE "M8 SERIES SPECIFICATIONS".
4. TO CONFORM TO SINGATRON HAZARDOUS SUBSTANCE FREE SPEC.
5. GREEN PRODUCT IDENTIFICATION LABEL ON PACKAGING: **G.P. PASS**
6. FOR PANEL THICKNESS MAX OF 3.0mm
7. ORDER INFORMATION: 2ME3003-X0X200H

- 04- 4 PIN
- 05- 5 PIN
- 06- 6 PIN



E	LIQUID GLUE	1	N/A	NATURAL
D	O-RING	1	VITON	RED
C	SCREW NUT	1	NYLON+33%GF	BLACK
B	MALE PIN	*	BRASS	6u" GOLD PLATING OVER NICKEL PLATING
A	BODY	1	NYLON+33%GF	BLACK
NO	DESCRIPTION	QTY	MATERIAL	PLATING & COLOR
UNLESS OTHERWISE SPECIFIED TOLERANCES		Singatron Electronic(China) Co., Ltd. 信音電子(中國)股份有限公司		
DECIMALS:		TITLE		
X :±0.5		M8 SERIES MALE CONN.		
X.X :±0.3		DWN Shawn		
X.XX :±0.2		PART NO.2ME3003-X0X200H		
		CHKD JF SCALE 4:1 UNIT: mm		
		APVD Harlen SIZE: A3 SHEET:1 OF 1		
		REV: C		
CUSTOMER COPY				