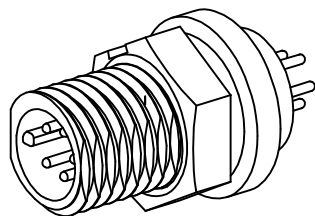
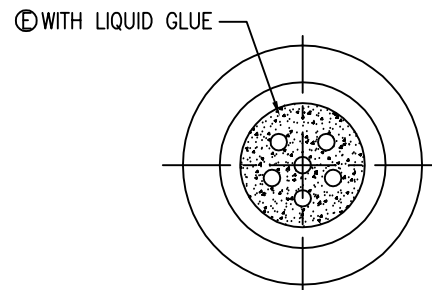
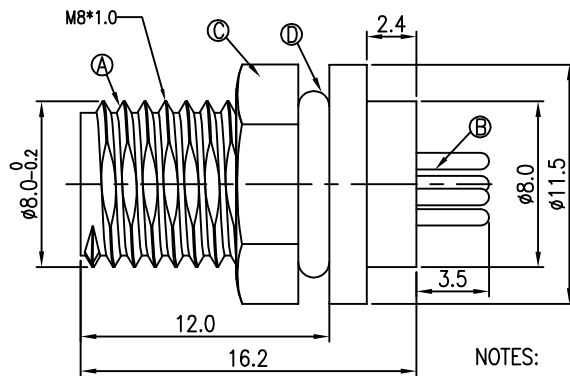
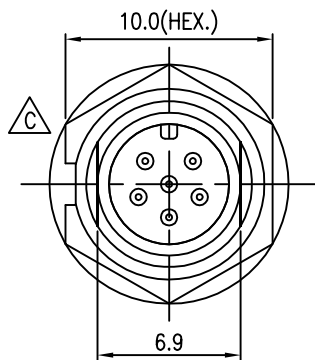
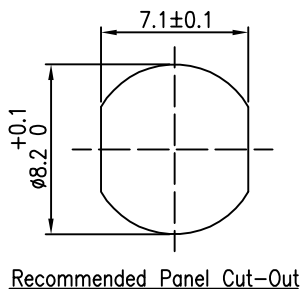


REV.	ECN NO OR DESCRIPTION	REVISED	DATE
A	PDR NO.:T110810-7A	Shawn	2011.11.12
B	ECN NO.:S111224	Shawn	2011.12.14
C	ECN NO.:S120424	Shawn	2012.04.06
D	ECN NO.:S130963	Shawn	2013.09.28



NOTES:

1. WATERPROOF RATE: IP67
IP67: IMMERSED IN 1M WATER FOR 30 MINUTES
2. ELECTRICAL CHARACTERISTICS
TEMPERATURE RANGE: -40°C TO +100°C
RATING: 60V AC/DC 2A
3. SPECIFICATIONS:SEE "M8 SERIES SPECIFICATIONS".
4. TO CONFORM TO SINGATRON HAZARDOUS SUBSTANCE FREE SPEC.
5. GREEN PRODUCT IDENTIFICATION LABEL ON PACKAGING: **G.P. PASS**
6. FOR PANEL THICKNESS MAX OF 3.0mm
7. ORDER INFORMATION: 2ME3005-QXX200H

- 04- 4 PIN
- 05- 5 PIN
- 06- 6 PIN

P/N	2ME3005-X04200H	2ME3005-X05200H	2ME3005-X06200H
	PCB LAYOUT	PCB LAYOUT	PCB LAYOUT

SIZE	2ME3005-X04200H	2ME3005-X05200H	2ME3005-X06200H
	Pin Assignments Front View	Pin Assignments Front View	Pin Assignments Front View

E	LIQUID GLUE	1	N/A	BLACK
D	O-RING	1	VITON	RED
C	SCREW NUT	1	NYLON+33%GF	BLACK
B	MALE PIN	*	BRASS	6u" GOLD PLATING OVER NICKEL PLATING
A	BODY	1	NYLON+33%GF	BLACK
NO	DESCRIPTION	QTY	MATERIAL	PLATING & COLOR
UNLESS OTHERWISE SPECIFIED TOLERANCES		Singatron Electronic(China) Co., Ltd. 		
DECIMALS: ANGLES:		TITLE M8 SERIES MALE CONN PCB TYPE.		
X	:±0.5	X	:±2°	DWN Shawn PART NO.2ME3005-X0X200H
X.X	:±0.3	X.X	:±1°	CHKD Harlen SCALE 4:1 UNIT: mm
X.XX	:±0.2	APVD Quan SIZE: A3 SHEET:1 OF 1 REV: D		
CUSTOMER COPY				