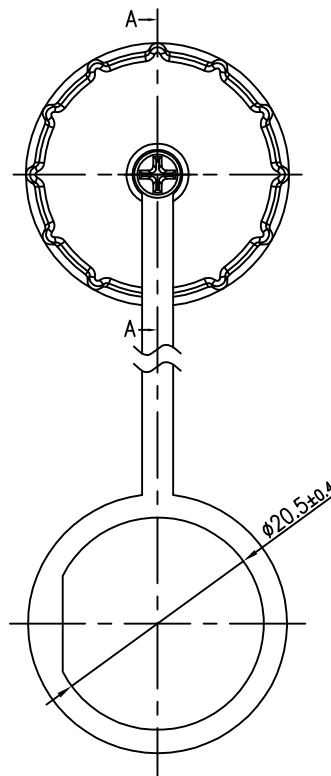
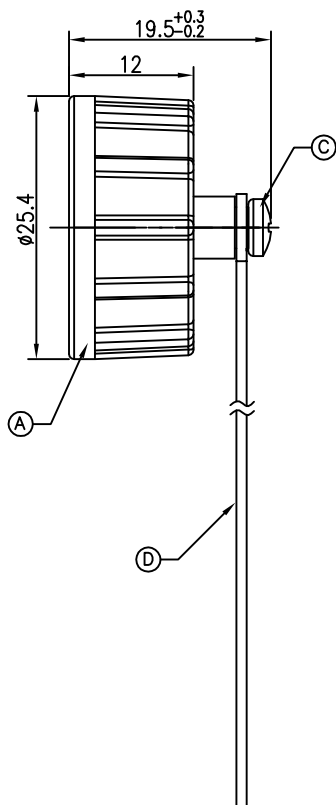
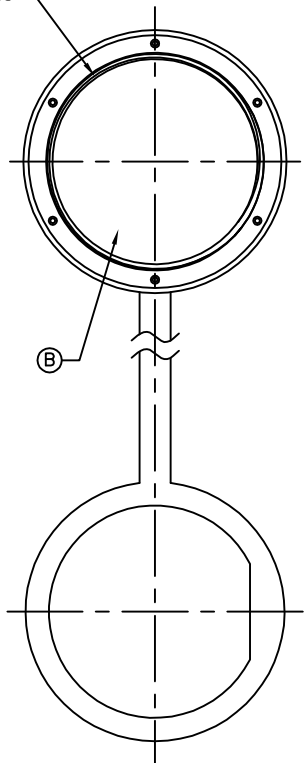


REV.	ECN NO OR DESCRIPTION	REVISED	DATE
A	PDR NO.:T090522-3C	Steve	2009.07.28

13/16"-28UNS



NOTES:

1. WATERPROOF RATE: IP67
IP67: IMMERSED IN 1M WATER FOR 30 MINUTES
2. TO CONFORM TO SINGATRON HAZARDOUS SUBSTANCE FREE SPEC.
3. GREEN PRODUCT IDENTIFICATION LABEL ON PACKAGING: G.P. PASS
4. FOR PANEL THICKNESS MAX OF 2.8mm

D	CHAIN	1	TPU	BLACK
C	SCREW	1	STAINLESS STEEL	N/A
B	GASKET	1	EPDM	BLACK
A	SCREW NUT	1	PPE	BLACK
NO	DESCRIPTION	QTY	MATERIAL	PLATING & COLOR
UNLESS OTHERWISE SPECIFIED TOLERANCES		Singatron Electronic(China) Co., Ltd. 信音電子(中國)股份有限公司		
DECIMALS:		TITLE WATERPROOF CAP SCREW TYPE (IP67)		
X	:±0.50	X	:±1°	DWN Steve PART NO.2UB3001-X0000W
X.X	:±0.30	X.X	:±0.5°	CHKD Quan SCALE 2:1 UNIT: mm
X.XX	:±0.20	APVD	Max	SIZE: A3 SHEET:1 OF 1 REV: A
CUSTOMER COPY				