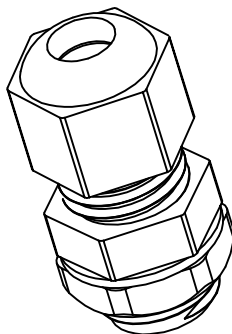
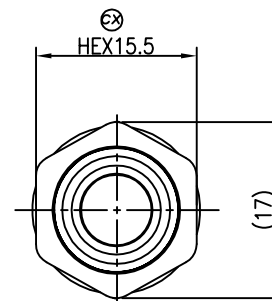
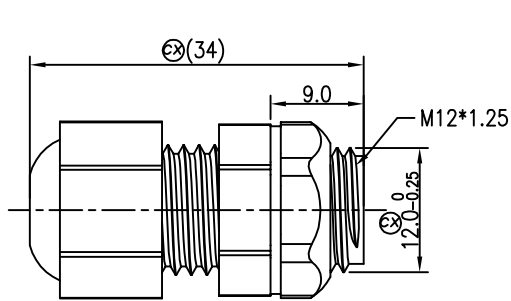
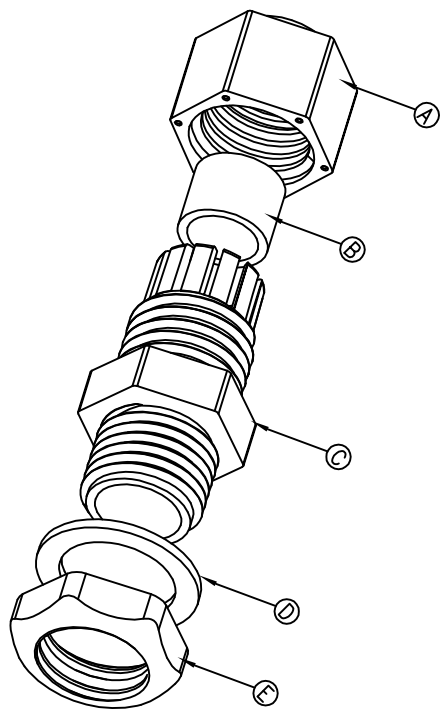


REV.	ECN NO OR DESCRIPTION	REVISED	DATE
A	PDR NO.S101215-2A	LILY	2011.03.31



NOTES:

1. WATERPROOF RATE: IP68(WHEN PROPERLY MATED)
IP68: IMMERSED IN 1M WATER FOR 24 HOURS
2. GENERAL FLASH:0.05mm max
3. Cable Range:φ4.0mm~φ6.5mm
4. TO CONFORM TO THE SINGATRON HAZARDOUS SUBSTANCE FREE SPEC.
5. GREEN PRODUCT IDENTIFICATION LABEL ON PACKAGING: **G.P. PASS**
6. ⊗ REPRESENT CRITICAL DIMENSIONS.

E	NUT	1	PPE 540Z	BLACK
D	O-RING	1	EPDM	BLACK
C	CLAMP RING	1	PPE 540Z	BLACK
B	SEAL	1	EPDM	BLACK
A	SEALING NUT	1	PPE 540Z	BLACK
NO	DESCRIPTION	QTY	MATERIAL	PLATING & COLOR
UNLESS OTHERWISE SPECIFIED TOLERANCES		Singatron Electronic(China) Co., Ltd. 信音電子(中國)股份有限公司		
DECIMALS:		TITLE		
X	:±0.30	M12*1.25 CABLE GLAND(BLACK)		
X.X	:±0.20	DWN LILY PART NO.2CT3100-X00067		
X.XX	:±0.1	CHKD Steve SCALE 2:1 UNIT: mm		
X.XXX	:±0.05	APVD Max SIZE: A3 SHEET:1 OF 1 REV: A		
CUSTOMER COPY				