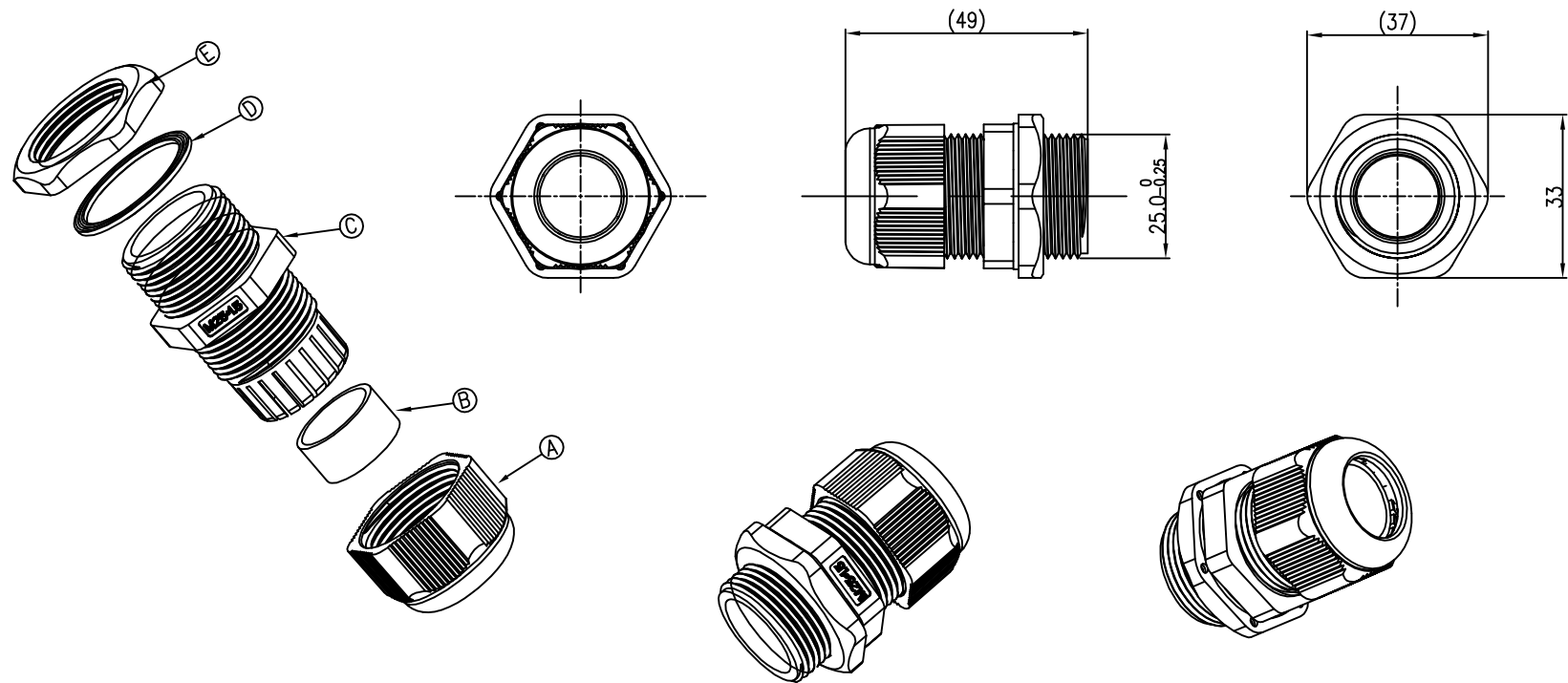


REV.	ECN NO OR DESCRIPTION	REVISED	DATE
A	PDR NO.S110308-6B	LILY	2011.06.27



NOTES:

1. WATERPROOF RATE: IP68(WHEN PROPERLY MATED)
IP68: IMMERSED IN 1M WATER FOR 24 HOURS
2. Cable Range: $\phi 10.0\text{mm} \sim \phi 16.0\text{mm}$
3. TO CONFORM TO THE SINGATRON HAZARDOUS SUBSTANCE FREE SPEC.
4. GREEN PRODUCT IDENTIFICATION LABEL ON PACKAGING: G.P. PASS

NO	DESCRIPTION	QTY	MATERIAL	PLATING & COLOR
E	NUT	1	PPE	BLACK
D	O-RING	1	SILICONE	BLACK
C	CLAMP RING	1	PPE	BLACK
B	SEAL	1	SILICONE	BLACK
A	SEALING NUT	1	PPE	BLACK

UNLESS OTHERWISE SPECIFIED TOLERANCES

DECIMALS:	ANGLES:	TITLE	M25*1.5 CABLE GLAND(BLACK)	
X :±0.5	X :±2°	DWN	LILY	PART NO.2CT3100-X00084H
X.X :±0.3	X.X :±1°	CHKD	Steve	SCALE 1:1 UNIT: mm
X.XX :±0.2		APVD	Tony	SIZE: A3 SHEET:1 OF 1 REV: A

CUSTOMER COPY

Singatronic Electronic(China) Co., Ltd.
 信音電子(中國)股份有限公司