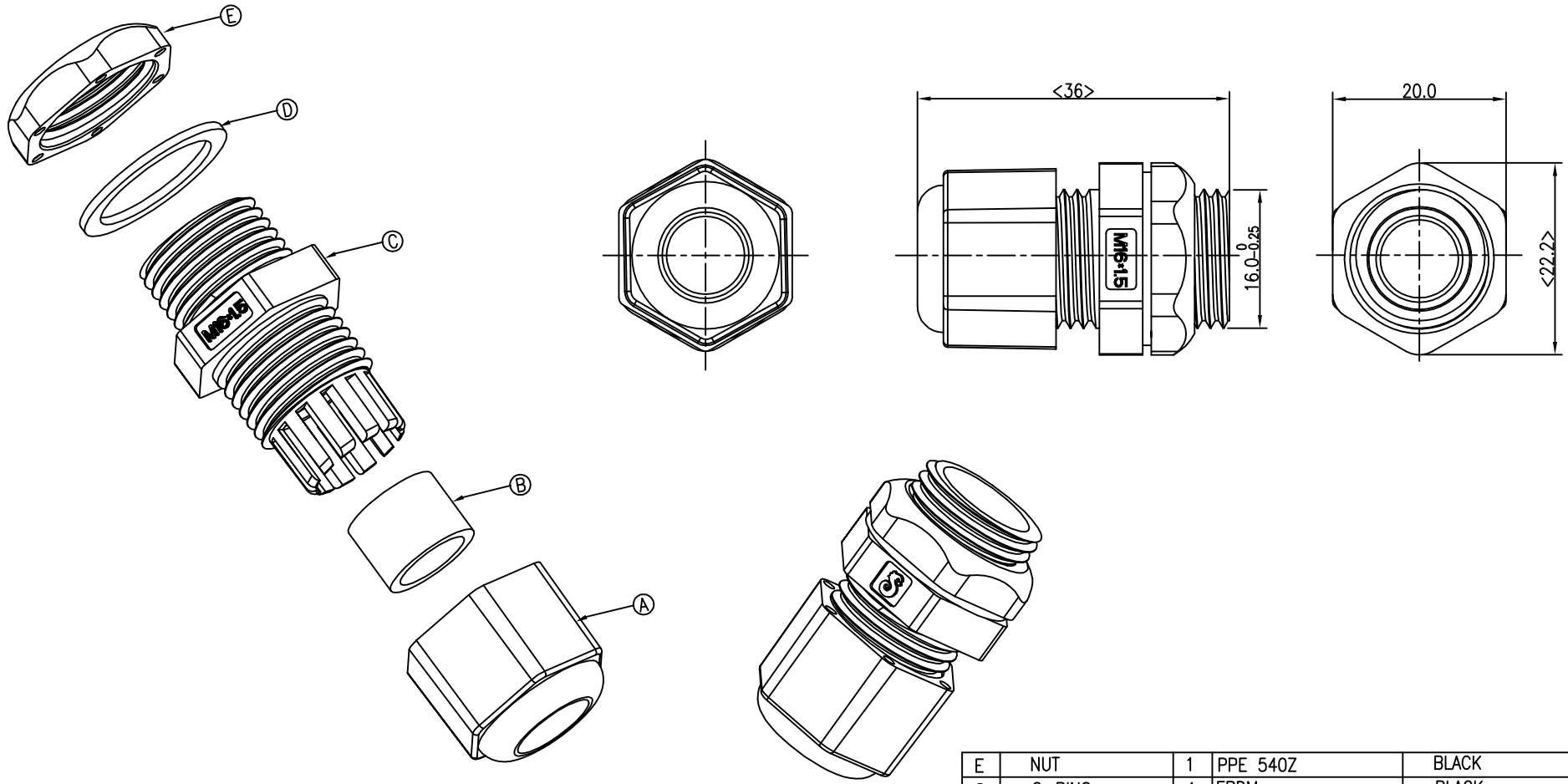


REV.	ECN NO OR DESCRIPTION	REVISED	DATE
A	PDR NO.S110308-6C	LILY	2011.06.30



NOTES:

1. WATERPROOF RATE: IP68(WHEN PROPERLY MATED)
IP68: IMMERSED IN 1M WATER FOR 24 HOURS
2. GENERAL FLASH:0.05mm max
3. .Cable Range:φ6.0mm~φ9.0mm
4. TO CONFORM TO THE SINGATRON HAZARDOUS SUBSTANCE FREE SPEC.
5. GREEN PRODUCT IDENTIFICATION LABEL ON PACKAGING: G.P. PASS

E	NUT	1	PPE 540Z	BLACK
D	O-RING	1	EPDM	BLACK
C	CLAMP RING	1	PPE 540Z	BLACK
B	SEAL	1	EPDM	BLACK
A	SEALING NUT	1	PPE 540Z	BLACK
NO	DESCRIPTION	QTY	MATERIAL	PLATING & COLOR
UNLESS OTHERWISE SPECIFIED TOLERANCES		Singatron Electronic(China) Co., Ltd. 信音電子(中國)股份有限公司		
DECIMALS:		TITLE		
X	:±0.5	M16*1.5 CABLE GLAND(BLACK)		
X.X	:±0.3	DWN LILY PART NO.2CT3100-X00085H		
X.XX	:±0.2	CHKD Steve SCALE 2:1 UNIT: mm		
		APVD Tony SIZE: A3 SHEET:1 OF 1 REV: A		
CUSTOMER COPY				