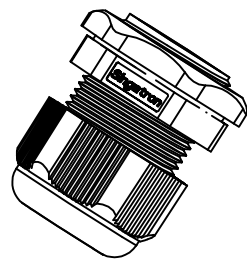
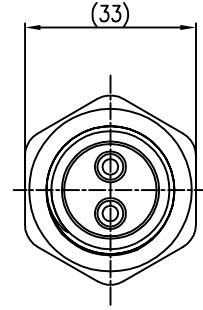
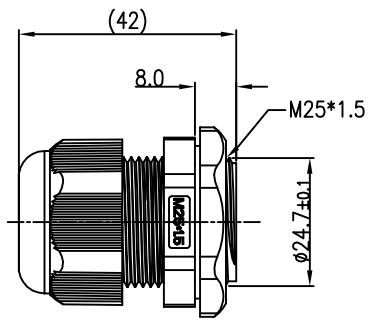
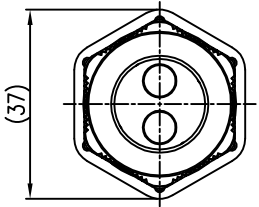
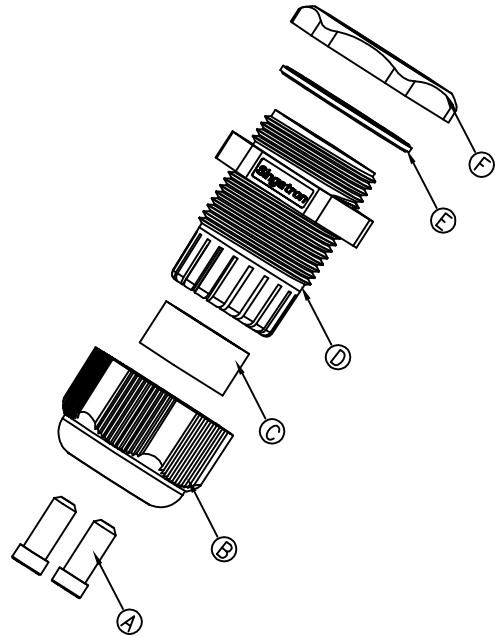


REV.	ECN NO OR DESCRIPTION	REVISED	DATE
A	PDR NO.S110308-6A	LILY	2011.06.27
B	ECN NO.S120101	LILY	2012.02.09
C	ECN NO.S120734	LILY	2012.07.13



NOTES:

1. WATERPROOF RATE: IP68(WHEN PROPERLY MATED)
IP68: IMMERSED IN 1M WATER FOR 24 HOURS
2. GENERAL FLASH:0.05mm max
3. Cable Range: 2*(ϕ 3.0mm~ ϕ 6.0mm)
4. TO CONFORM TO THE SINGATRON HAZARDOUS SUBSTANCE FREE SPEC.
5. GREEN PRODUCT IDENTIFICATION LABEL ON PACKAGING:

F	NUT	1	PPE	BLACK
E	O-RING	1	SILICONE	BLACK
D	CLAMP RING	1	PPE	BLACK
C	SEAL	1	SILICONE	BLACK
B	SEALING NUT	1	PPE	BLACK
A	SEAL	2	SILICONE	BLACK
NO	DESCRIPTION	QTY	MATERIAL	PLATING & COLOR
UNLESS OTHERWISE SPECIFIED TOLERANCES			Singatron Electronic(China) Co., Ltd. 信音電子(中國)股份有限公司	
DECIMALS:		ANGLES:		
X	:±0.5	X	:±2°	
X.X	:±0.3	X.X	:±1'	
X.XX	:±0.2			
TITLE	M25*1.5 CABLE GLAND(BLACK)			
DWN	LILY	PART NO.2CT3100-X00083H		
CHKD	Shawn	SCALE 1:1	UNIT: mm	
APVD	Steve	SIZE: A3	SHEET:1 OF 1	REV:C
CUSTOMER COPY				