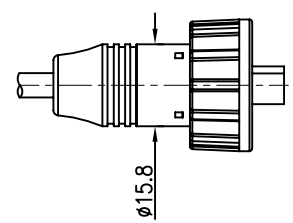
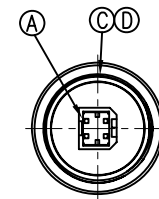
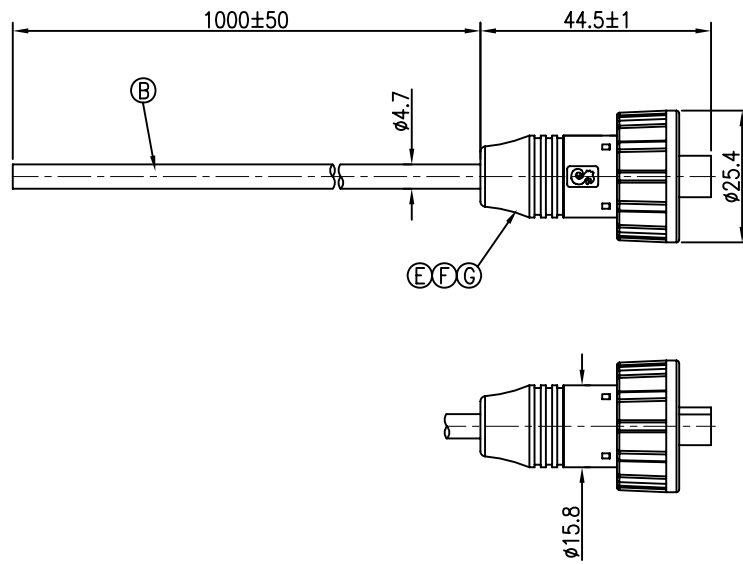
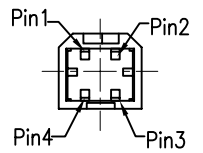


REV.	ECN NO OR DESCRIPTION	REVISED	DATE
A	PDR NO.:T140318-4A	Vicky	2014.04.14



DRAIN	SHIELD
BLACK	4
GREEN	3
WHITE	2
RED	1
WIRE COLOR	CONN.

PIN OUT



Pin Assignments
Front View

NOTES:

- ELECTRICAL CHARACTERISTICS:
 - 1-1 CURRENT RATING: 1.0 AMPS.
 - 1-2 CONTACT RESISTANCE: 3 Ohm Max.
 - 1-3 INSULATION RESISTANCE: 1000 MOhm Min. at 500VDC.
 - 1-4 BREAKDOWN VOLTAGE: 500 VAC PER MINUTE.
- ENVIRONMENTAL:
 - 2-1 OPERATING TEMPERATURE: -20°C TO +80°C.
 - 2-2 SEALING REQUIREMENTS: IP67.
- OTHER GENERAL SPEC. TO REFER "USB WPC SPEC".
- FOR TECHNICAL DATA REFER TO YOUR LOCAL SINGATRON ELECTRONICS SALES OFFICE.
- ALL DIMENSIONS ARE NOMINAL FOR REFERENCE ONLY UNLESS OTHERWISE STATED.
- TO CONFORM TO SINGATRON HAZARDOUS SUBSTANCE FREE SPEC.
- GREEN PRODUCT IDENTIFICATION LABEL ON PACKAGING: **G.P. PASS**

G	TUBE	1	φ1.0(125',300V)	BLACK
F	INNER MOLD	1	TPU	NATURAL
E	OVER MOLD	1	TPU	BLACK
D	GASKET	1	EPDM	BLACK
C	SCREW NUT	1	PC	BLACK
B	CABLE	1	USB2.0 28#*1P+24#*2C+ADB,UV Resistant	BLACK
A	USB B PLUG	1	USB B TYPE MALE	N/A
NO	DESCRIPTION	QTY	MATERIAL	PLATING & COLOR

UNLESS OTHERWISE SPECIFIED TOLERANCES

Sgconn Singatron Electronic(China) Co., Ltd.
Waterproof Connectors 信音電子(中國)股份有限公司

DECIMALS:	ANGLES:	TITLE	USB 2.0 PLUG WITH CABLE	
X :±0.5	X :±2°	DWN	Vicky	PART NO.2UP3004-X05100H
X.X :±0.3	X.X :±1°	CHKD	Harlen	SCALE 1:1 UNIT: mm
X.XX :±0.2		APVD	Quan	SIZE: A3 SHEET:1 OF 1 REV: A

CUSTOMER COPY