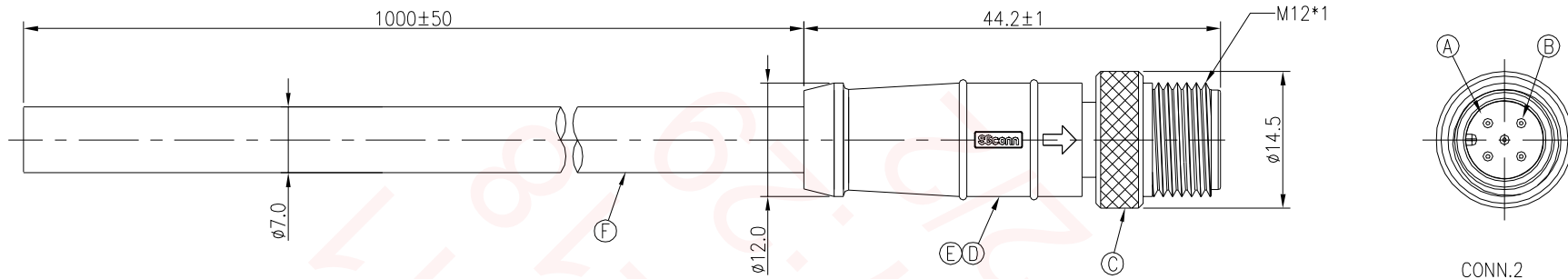


REV.	ECN NO OR DESCRIPTION	REVISED	DATE
A	PDR NO.:T151016-4A	Blues	2015.10.20



5	BLUE(24AWG)	TWIST
4	WHITE(24AWG)	
3	BLACK(22AWG)	TWIST
2	RED(22AWG)	
1	DRAIN	
CONN.	WIRE COLOR	
PIN OUT		
CONN.		
Pin Assignments Front View		

NOTES:

- ELECTRICAL CHARACTERISTICS:
 - 1-1 CURRENT RATING: 5 AMPS.
 - 1-2 CONTACT RESISTANCE: 3 Ohm Max.
 - 1-3 INSULATION RESISTANCE: 100 MOhm Min. at 500VDC.
 - 1-4 BREAKDOWN VOLTAGE: 500 VAC PER MINUTE.
- MECHANICAL CHARACTERISTICS:
 - TIGHTENING TORQUES: 1.0~1.2Nm(8.85~10.62lbf.in.).
- ENVIRONMENTAL:
 - 3-1 OPERATING TEMPERATURE: -40°C TO +80°C.
 - 3-2 SEALING REQUIREMENTS: IP67.
- LIFE TEST: 1,000 CYCLES MIN.
- OTHER GENERAL SPEC. TO REFER "M12 SERIES SPEC."
- FOR TECHNICAL DATA REFER TO YOUR LOCAL SINGATRON ELECTRONICS SALES OFFICE.
- ALL DIMENSIONS ARE NOMINAL FOR REFERENCE ONLY UNLESS OTHERWISE STATED.
- TO CONFORM TO SINGATRON HAZARDOUS SUBSTANCE FREE SPEC.
- GREEN PRODUCT IDENTIFICATION LABEL ON PACKAGING: **RoHS PASS**.

F	CABLE	1	(24#*1P+AL)+(22#*1P+AL)+D+B OD7.0 (UV)	BLACK(PVC JACKET)
E	OVER MOLD	1	TPU	BLACK
D	INNER MOLD	1	TPU	BLACK
C	SCREW NUT	1	BRASS	NICKEL PLATING 60u"
B	MALE PIN	5	COPPER ALLOY	5u" GOLD PLATING 20u" PD/NI PLATING OVER NICKEL 50u"
A	BODY	1	TPU	BLACK
NO	DESCRIPTION	QTY	MATERIAL	PLATING & COLOR
UNLESS OTHERWISE SPECIFIED TOLERANCES			Singatron Enterprise Co., Ltd. 信音企業股份有限公司	
DECIMALS:		ANGLES:		TITLE
X	:±0.5	X	:±2'	M12 SERIES 180° 5PIN MALE CONN.
X.X	:±0.3	X.X	:±1'	DWN Blues PART NO.2MT3012-W05356H
X.XX	:±0.2	CHKD Harlen SCALE 1:1 UNIT: mm		
			APVD Steve SIZE: A3 SHEET:1 OF 1	REV: A
CUSTOMER COPY				