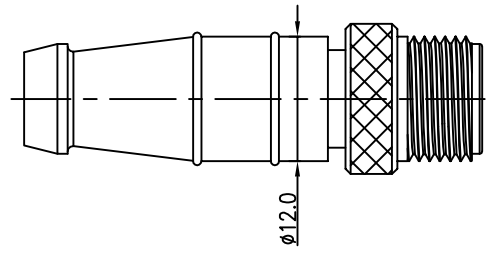
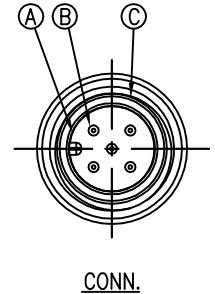
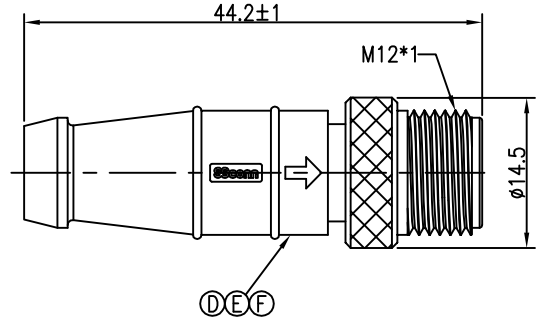
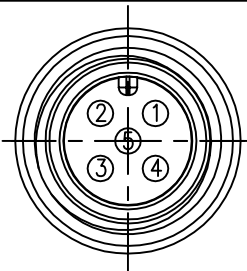


REV.	ECN NO OR DESCRIPTION	REVISED	DATE
1	PDR NO.:T140221-6A	Shawn	2014.03.03
2	CHANGE LOGO	Shawn	2014.03.05
3	CHANGE PIN PLATED	Shawn	2014.04.11



RESISTOR	5	RESISTOR
	4	
N/A	3	
N/A	2	
N/A	1	
WIRE COLOR	CONN.	

- NOTES:
- MECHANICAL CHARACTERISTICS:
TIGHTENING TORQUES: 1.0~1.2Nm(8.85~10.62lbf.in.).
 - ENVIRONMENTAL:
3-1 OPERATING TEMPERATURE: -40°C TO +80°C.
3-2 SEALING REQUIREMENTS: IP67.
 - LIFE TEST: 1,000 CYCLES MIN.
 - OTHER GENERAL SPEC. TO REFER "M12 SERIES SPEC."
 - FOR TECHNICAL DATA REFER TO YOUR LOCAL SINGATRON ELECTRONICS SALES OFFICE.
 - ALL DIMENSIONS ARE NOMINAL FOR REFERENCE ONLY UNLESS OTHERWISE STATED.
 - TO CONFORM TO SINGATRON HAZARDOUS SUBSTANCE FREE SPEC.
 - GREEN PRODUCT IDENTIFICATION LABEL ON PACKAGING: **G.P. PASS**.



Pin Assignments
Front View

NO	DESCRIPTION	QTY	MATERIAL	PLATING & COLOR
F	INNER MOLD	1	TPU	NATURAL
E	OVER MOLD	1	TPU	BLACK
D	RESISTOR	1	1/4. 120 ohm 5%	N/A
C	MALE SCREW NUT	1	BRASS	NICKEL PLATING 60u"
B	MALE PIN	5	BRASS	5u" GOLD PLATING 20u" PD/Ni PLATING OVER NICKEL 50u"
A	BODY	1	TPU	BLACK

UNLESS OTHERWISE SPECIFIED TOLERANCES

DECIMALS: X :±0.5 X.X :±0.3 X.XX :±0.2

ANGLES: X :±2° X.X :±1'

TITLE: M12 SERIES 180° 5 PIN MALE CONN.

DWN: Shawn PART NO. 2MT3012-X05338H

CHKD: SCALE 2:1 UNIT: mm

APVD: SIZE: A3 SHEET: 1 OF 1 REV: 3

CUSTOMER COPY

Singatron Electronic(China) Co., Ltd.
信音電子(中國)股份有限公司