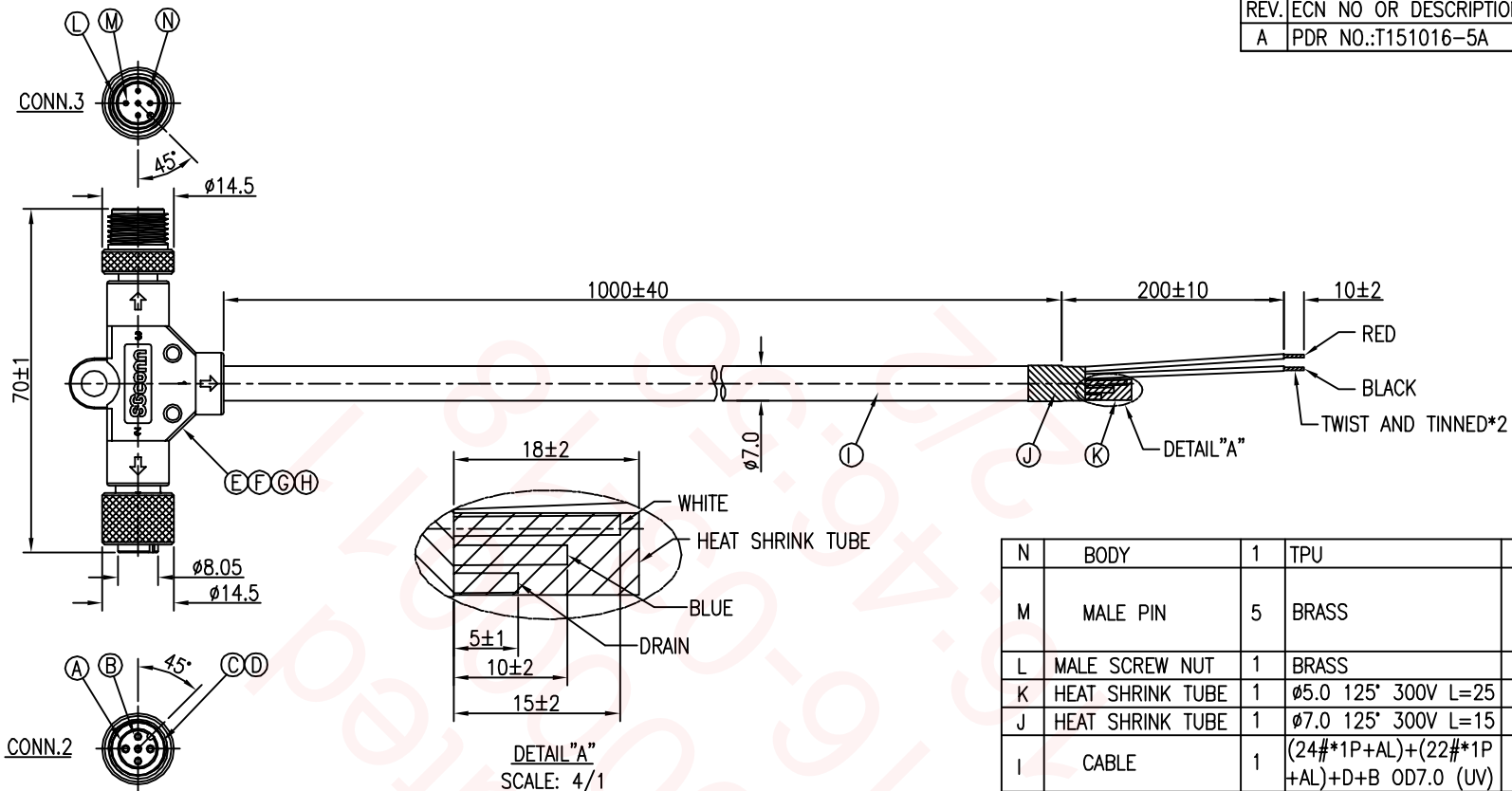


REV.	ECN NO OR DESCRIPTION	REVISED	DATE
A	PDR NO.:T151016-5A	Blues	2015.10.20

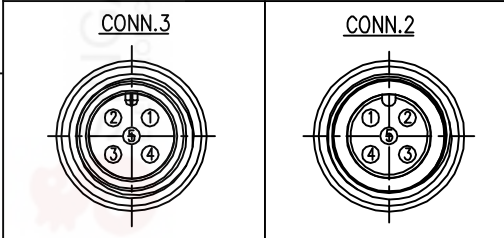


DETAIL "A"
SCALE: 4/1

N	BODY	1	TPU	BLACK
M	MALE PIN	5	BRASS	5u" GOLD PLATING 20u" PD/NI PLATING OVER NICKEL 50u"
L	MALE SCREW NUT	1	BRASS	NICKEL PLATING 60u"
K	HEAT SHRINK TUBE	1	Ø5.0 125' 300V L=25	BLACK
J	HEAT SHRINK TUBE	1	Ø7.0 125' 300V L=15	BLACK
I	CABLE	1	(24#*1P+AL)+(22#*1P +AL)+D+B OD7.0 (UV)	BLACK(PVC JACKET)
H	ACETATE CLOTH	1	W10 *0.18T	BLACK
G	WIRE HARNESS	5	SEE "PIN OUT"	SEE "PIN OUT"
F	OVER MOLD	1	TPU	BLACK
E	INNER MOLD	1	TPU	NATURAL
D	O-RING	1	VITON	RED
C	FEMALE SCREW NUT	1	BRASS	NICKEL PLATING 60u"
B	FEMALE PIN	5	COPPER ALLOY	5u" GOLD PLATING 20u" PD/NI PLATING OVER NICKEL 50u"
A	BODY	1	TPU	BLACK
NO	DESCRIPTION	QTY	MATERIAL	PLATING & COLOR

5	BLUE (24AWG)	5	BLUE (24AWG)
4	WHITE (24AWG)	4	WHITE (24AWG)
3	BLACK (22AWG)	3	BLACK (22AWG)
2	RED (22AWG)	2	RED (22AWG)
1	GREEN (24AWG)	1	DRAIN (24AWG)
CONN2.	WIRE HARNESS	CONN3.	CABLE

PIN OUT



PIN ASSIGNMENTS
FRONT VIEW

NOTES:

- ELECTRICAL CHARACTERISTICS:
 - CURRENT RATING: 5 AMPS.
 - CONTACT RESISTANCE: 3 Ohm Max.
 - INSULATION RESISTANCE: 100 MOhm Min. at 500VDC.
 - BREAKDOWN VOLTAGE: 500 VAC PER MINUTE.
- MECHANICAL CHARACTERISTICS:
 - TIGHTENING TORQUES: 1.0~1.2Nm(8.85~10.62lbf.in.).
- ENVIRONMENTAL:
 - OPERATING TEMPERATURE: -40°C TO +80°C.
 - SEALING REQUIREMENTS: IP67.
- LIFE TEST: 1,000 CYCLES MIN.
- OTHER GENERAL SPEC. TO REFER "M12 SERIES SPEC."
- FOR TECHNICAL DATA REFER TO YOUR LOCAL SINGATRON ELECTRONICS SALES OFFICE.
- ALL DIMENSIONS ARE NOMINAL FOR REFERENCE ONLY UNLESS OTHERWISE STATED.
- TO CONFORM TO SINGATRON HAZARDOUS SUBSTANCE FREE SPEC.
- GREEN PRODUCT IDENTIFICATION LABEL ON PACKAGING: **D.P. PASS**.

UNLESS OTHERWISE SPECIFIED TOLERANCES		Singatron Enterprise Co., Ltd. 信音企業股份有限公司	
DECIMALS:	ANGLES:	TITLE	M12 T-CABLE 5PIN(5A)
X :±0.5	X :±2'	DWN	Blues PART NO.2MT303T-W05319H
XX :±0.3	XX :±1'	CHKD	Harlen SCALE 1:1 UNIT: mm
XXX :±0.2		APVD	Steve SIZE: A3 SHEET:1 OF 1 REV: A
CUSTOMER COPY			