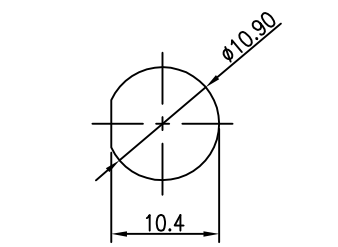
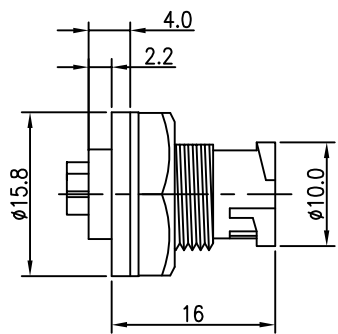


REV.	ECN NO OR DESCRIPTION	REVISED	DATE
A	PDR NO.:T090903-7A~7C	HARLEN	2009.09.12
B	PDR NO.T091105-4D	Harlen	2010.01.20
C	ECN NO.S121109	YF	2014.03.26



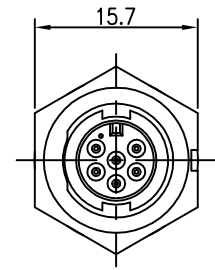
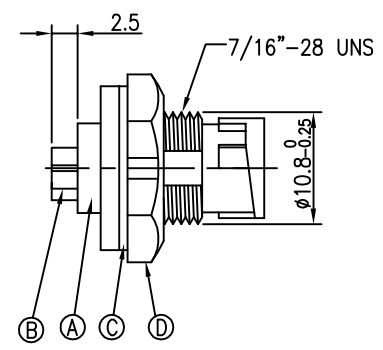
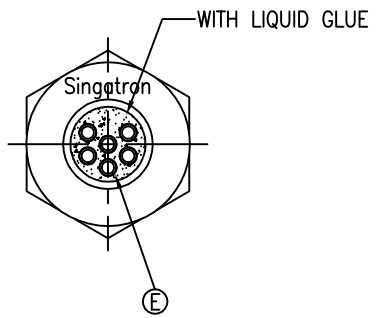
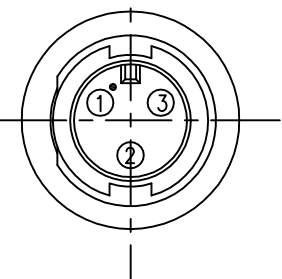
RECOMMENDED PANEL CUT-OUT



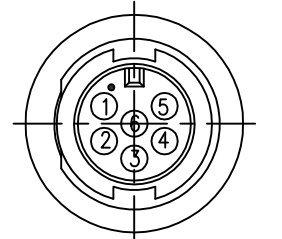
- NOTES:
1. WATERPROOF RATE: IP67  
IP67: IMMERSED IN 1M WATER FOR 30 MINUTES
  2. ELECTRICAL CHARACTERISTICS  
TEMPERATURE RANGE: -40°C TO +100°C  
CURRENT RATING: 2A  
DIELECTRIC WITHSTANDING VOLTAGE: 500V AC FOR ONE MINUTE
  3. SPECIFICATIONS:SEE "CIRCULAR SERIES SPECIFICATIONS".
  4. TO CONFORM TO SINGATRON HAZARDOUS SUBSTANCE FREE SPEC.
  5. GREEN PRODUCT IDENTIFICATION LABEL ON PACKAGING: **G.P. PASS**
  6. FOR PANEL THICKNESS MAX OF 3.2mm
  7. ORDER INFORMATION:2CN3002-XXX200

- └─ 2-CURRENT RATING 2A
- └─ 03- 3 PIN
- └─ 04- 4 PIN
- └─ 05- 5 PIN
- └─ 06- 6 PIN

P/N: 2CN3002-X03200

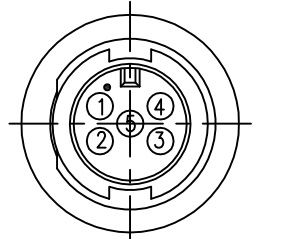


P/N: 2CN3002-X06200



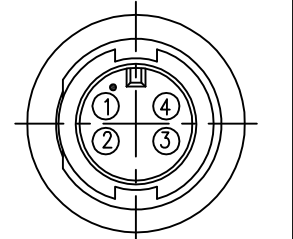
PIN ASSIGNMENTS FRONT VIEW

P/N: 2CN3002-X05200



PIN ASSIGNMENTS FRONT VIEW

P/N: 2CN3002-X04200



PIN ASSIGNMENTS FRONT VIEW

E	LIQUID GLUE	1	N/A	BLACK
D	NUT	1	NYLON+GF	BLACK
C	GASKET	1	EPDM	BLACK
B	MALE PIN	*	BRASS	6u" GOLD PLATING OVER NICKEL PLATING
A	BODY	1	NYLON+GF	BLACK
NO	DESCRIPTION	QTY	MATERIAL	PLATING & COLOR

UNLESS OTHERWISE SPECIFIED TOLERANCES		Singatron Electronic(China) Co., Ltd. 信音電子(中國)股份有限公司		
DECIMALS:	ANGLES:	TITLE	CIRCULAR MINI SIZE (SOLDER TYPE) MALE CONN. MALE 3~6PIN(2A) LOCK TYPE	
X :±0.5	X :±2°	DWN	YF	<b>PART NO.2CN3002-X0□200</b>
X.X :±0.3	X.X :±1°	CHKD	Harlen	SCALE 2:1 UNIT: mm
X.XX :±0.2		APVD	Quan	SIZE: A3 SHEET:1 OF 1 REV: C
<b>CUSTOMER COPY</b>				