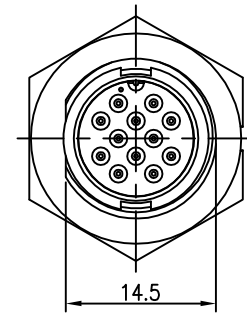
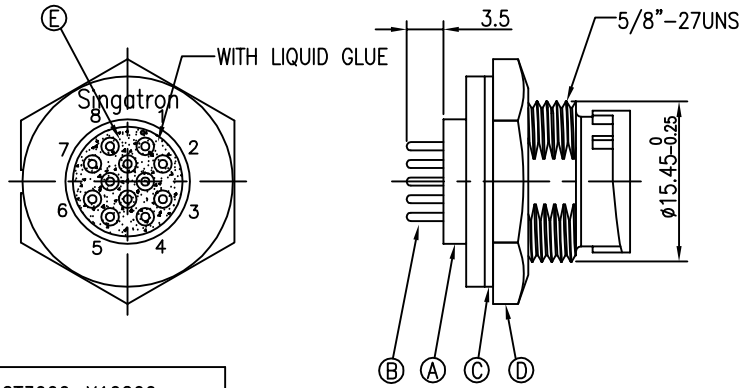


REV.	ECN NO OR DESCRIPTION	REVISED	DATE
A	PDR NO.:T080815-3J	Steve	2009.04.25
B	ECN NO.:S121109	YF	201403.26

- NOTES:
- WATERPROOF RATE: IP67  
IP67: IMMERSED IN 1M WATER FOR 30 MINUTES
  - ELECTRICAL CHARACTERISTICS  
TEMPERATURE RANGE: -40°C TO +100°C  
CURRENT RATING: 2A  
DIELECTRIC WITHSTANDING VOLTAGE: 500V AC FOR ONE MINUTE
  - SPECIFICATIONS:SEE "CIRCULAR SERIES SPECIFICATIONS".
  - TO CONFORM TO SINGATRON HAZARDOUS SUBSTANCE FREE SPEC.
  - GREEN PRODUCT IDENTIFICATION LABEL ON PACKAGING: **G.P. PASS**
  - FOR PANEL THICKNESS MAX OF 4.0mm
  - ORDER INFORMATION: 2CT3000-X1X200

2-CURRENT RATING 2A  
12-12 PIN  
10-10PIN



P/N:	2CT3000-X12200	2CT3000-X10200
PIN ASSIGNMENTS FRONT VIEW		
PCB AYOUT		

E	LIQUID GLUE	1	N/A	BLACK
D	NUT	1	NYLON+GF	BLACK
C	GASKET	1	EPDM	BLACK
B	MALE PIN	*	BRASS	6u" GOLD PLATED OVER NICKEL PLATING
A	BODY	1	NYLON+GF	BLACK
NO	DESCRIPTION	QTY	MATERIAL	PLATING & COLOR
UNLESS OTHERWISE SPECIFIED TOLERANCES			Singatron Electronic(China) Co., Ltd. 信音電子(中國)股份有限公司	
DECIMALS:		ANGLES:		TITLE
X	:±0.5	X	:±2°	CIRCULAR STANDARD SIZE (PCB/LOCK TYPE)
X.X	:±0.3	X.X	:±1°	MALE CONN. MALE (10~12)PIN (2A)
X.XX	:±0.2			DWN YF PART NO.2CT3000-X1X200
CHKD Harlen		SCALE 2:1	UNIT: mm	
APVD Quan		SIZE: A3	SHEET:1 OF 1	REV: B
<b>CUSTOMER COPY</b>				