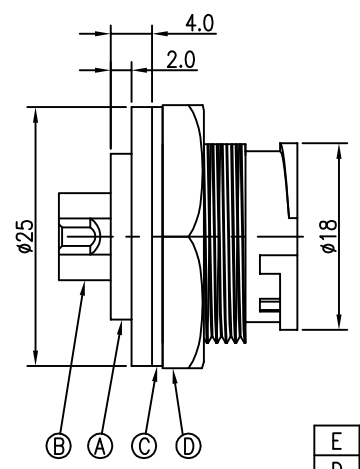
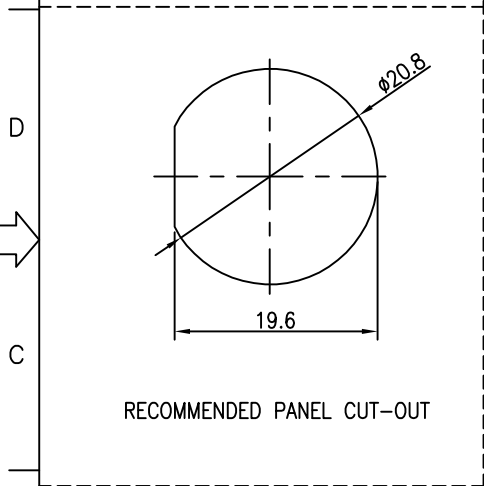
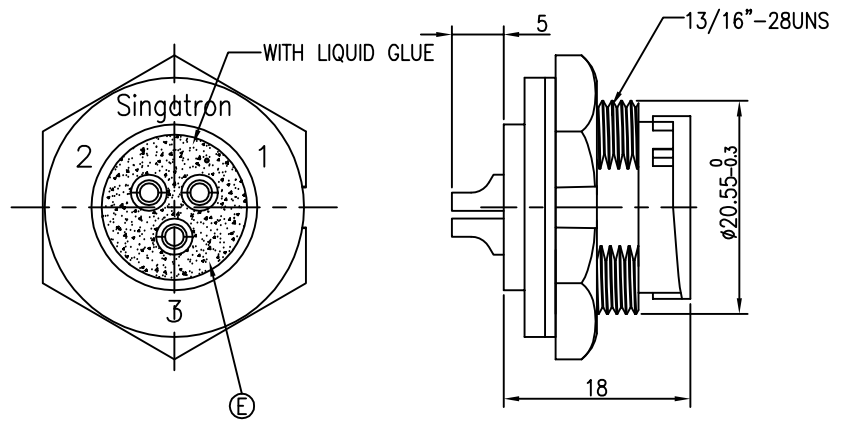
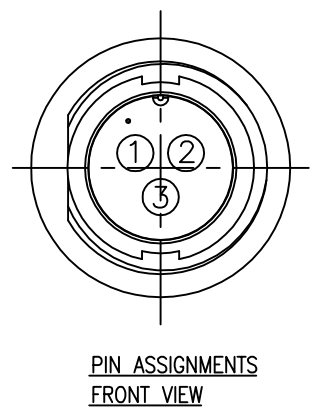


REV.	ECN NO OR DESCRIPTION	REVISED	DATE
A	PDR NO.:T080815A3G	Steve	2009.04.28
B	ECN NO.:S121109	YF	2014.03.27



- NOTES:
1. WATERPROOF RATE: IP67
IP67: IMMERSED IN 1M WATER FOR 30 MINUTES
 2. ELECTRICAL CHARACTERISTICS
TEMPERATURE RANGE: -40°C TO +100°C
CURRENT RATING: 16A
DIELECTRIC WITHSTANDING VOLTAGE: 1000V AC FOR ONE MINUTE
 3. SPECIFICATIONS:SEE "CIRCULAR SERIES SPECIFICATIONS".
 4. TO CONFORM TO SINGATRON HAZARDOUS SUBSTANCE FREE SPEC.
 5. GREEN PRODUCT IDENTIFICATION LABEL ON PACKAGING: **G.P. PASS**
 6. FOR PANEL THICKNESS MAX OF 3.5mm

E	LIQUID GLUE	1	N/A	BLACK
D	NUT	1	NYLON+GF	BLACK
C	GASKET	1	EPDM	BLACK
B	MALE PIN	3	BRASS	6u" GOLD PLATED OVER NICKEL PLATING
A	BODY	1	NYLON+GF	BLACK
NO	DESCRIPTION	QTY	MATERIAL	PLATING & COLOR
UNLESS OTHERWISE SPECIFIED TOLERANCES			Singatron Electronic(China) Co., Ltd. 信音電子(中國)股份有限公司	
DECIMALS:		ANGLES:		TITLE
X	:±0.5	X	:±2°	CIRCULAR MIDDLE SIZE (PCB/LOCK TYPE)
X.X	:±0.3	X.X	:±1°	MALE CONN. MALE 3 PIN(16A)
X.XX	:±0.2	DWN YF PART NO.2CM3002-X03600		
CHKD Harlen		SCALE 2:1	UNIT: mm	
APVD Quan		SIZE: A3	SHEET:1 OF 1	REV: B
CUSTOMER COPY				