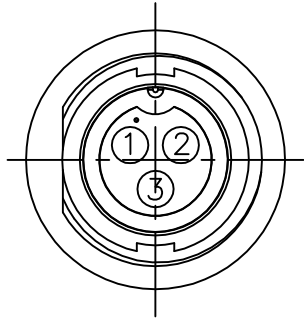
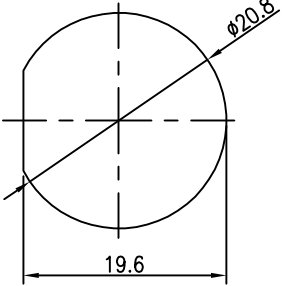
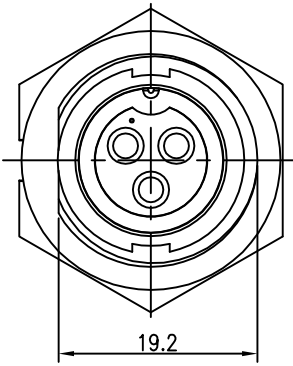
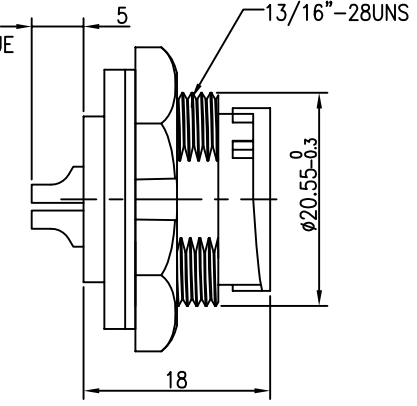
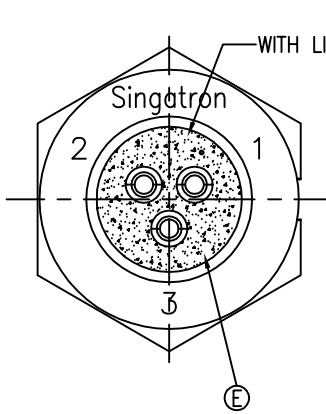


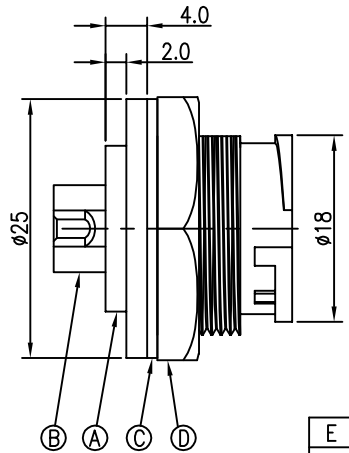
REV.	ECN NO OR DESCRIPTION	REVISED	DATE
A	PDR NO.:S090929-5A	LILY	2009.10.23
B	ECN NO.:S121109	YF	2014.03.27



PIN ASSIGNMENTS  
FRONT VIEW



RECOMMENDED PANEL CUT-OUT



- NOTES:
1. WATERPROOF RATE: IP67  
IP67: IMMERSED IN 1M WATER FOR 30 MINUTES
  2. ELECTRICAL CHARACTERISTICS  
TEMPERATURE RANGE: -40°C TO +100°C  
CURRENT RATING: 16A  
DIELECTRIC WITHSTANDING VOLTAGE: 1000V AC FOR ONE MINUTE
  3. SPECIFICATIONS:SEE "CIRCULAR SERIES SPECIFICATIONS".
  4. TO CONFORM TO SINGATRON HAZARDOUS SUBSTANCE FREE SPEC.
  5. GREEN PRODUCT IDENTIFICATION LABEL ON PACKAGING: **G.P. PASS**
  6. FOR PANEL THICKNESS MAX OF 3.5mm

E	LIQUID GLUE	1	N/A	BLACK
D	NUT	1	NYLON+GF	BLACK
C	GASKET	1	EPDM	BLACK
B	FEMALE PIN	3	Phosphor Bronze Alloy	6u" GOLD PLATED OVER NICKEL PLATING
A	BODY	1	NYLON+GF	BLACK
NO	DESCRIPTION	QTY	MATERIAL	PLATING & COLOR

UNLESS OTHERWISE SPECIFIED TOLERANCES

DECIMALS:	ANGLES:	TITLE	CIRCULAR MIDDLE SIZE (LOCK TYPE) MALE CONN. FEMALE 3 PIN(16A)	
X :±0.5	X :±2°	DWN	YF	<b>PART NO.2CM3014-X03600</b>
X.X :±0.3	X.X :±1°	CHKD	Harlen	SCALE 2:1 UNIT: mm
X.XX :±0.2		APVD	Quan	SIZE: A3 SHEET:1 OF 1 <b>REV: B</b>
<b>CUSTOMER COPY</b>				

**Sgconn** Singatron Electronic(China) Co., Ltd.  
 Waterproof Connectors 信音電子(中國)股份有限公司