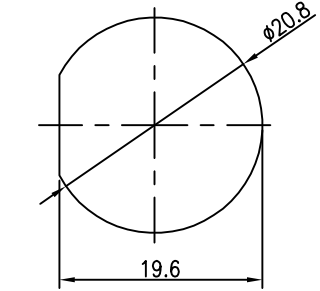
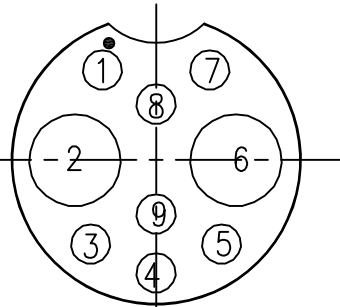
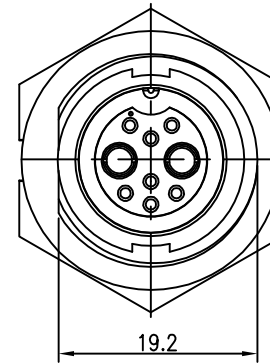
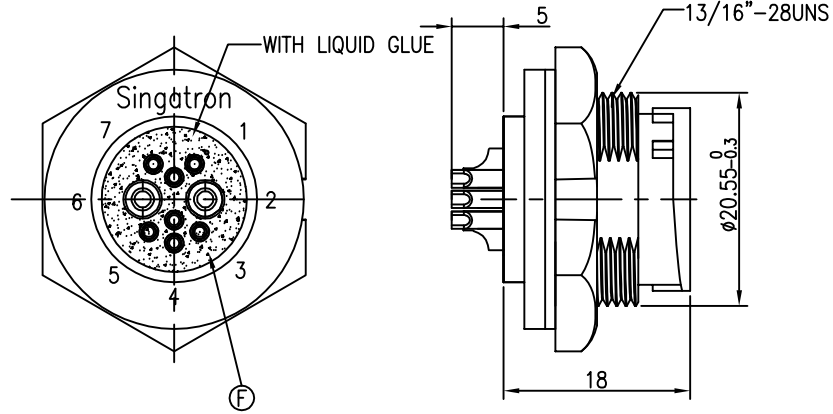


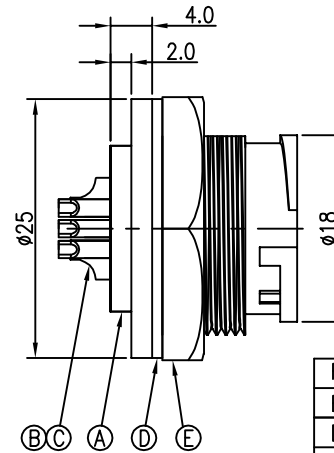
REV.	ECN NO OR DESCRIPTION	REVISED	DATE
A	PDR NO:T110310-14A	LILY	2011.12.27
B	ECN NO.:S121109	YF	2014.03.27



RECOMMENDED PANEL CUT-OUT



PIN ASSIGNMENTS FRONT VIEW



NOTES:

1. WATERPROOF RATE: IP67  
IP67: IMMERSED IN 1M WATER FOR 30 MINUTES
2. CURRENT RATING: 2+20A
3. SPECIFICATIONS:SEE "CIRCULAR SERIES SPECIFICATIONS".
4. TO CONFORM TO SINGATRON HAZARDOUS SUBSTANCE FREE SPEC.
5. GREEN PRODUCT IDENTIFICATION LABEL ON PACKAGING: **G.P. PASS**
6. FOR PANEL THICKNESS MAX OF 3.5mm

F	LIQUID GLUE	1	N/A	BLACK
E	NUT	1	NYLON+33%GF	BLACK
D	GASKET	1	EPDM	BLACK
C	FEMALE PIN	7	Phosphor Bronze	6u" GOLD PLATING OVER NICKEL PLATING
B	FEMALE PIN	2	Phosphor Bronze	1~3u" GOLD PLATING OVER NICKEL PLATING
A	BODY	1	NYLON+33%GF	BLACK
NO	DESCRIPTION	QTY	MATERIAL	PLATING & COLOR

UNLESS OTHERWISE SPECIFIED TOLERANCES

 Singatron Electronic(China) Co., Ltd.  


DECIMALS:	ANGLES:	TITLE	CIRCULAR MIDDLE SIZE (SOLDER/LOCK TYPE)	
X :±0.5	X :±2°	DWN	MALE CONN. FEMALE (2+7)PIN(2+20A)	
X.X :±0.3	X.X :±1'	CHKD	Harlen	SCALE 2:1
X.XX :±0.2		APVD	Quan	SIZE: A3
				UNIT: mm
				SHEET:1 OF 1
				REV:B

CUSTOMER COPY