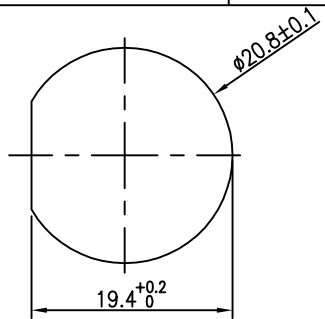
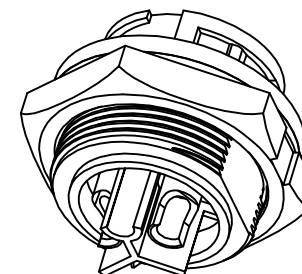
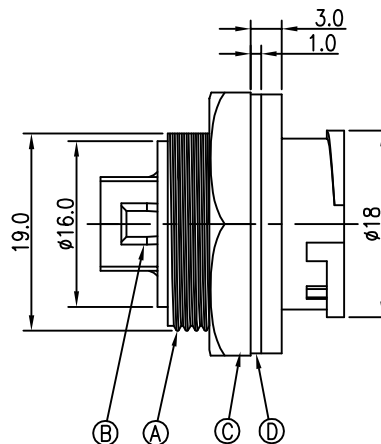
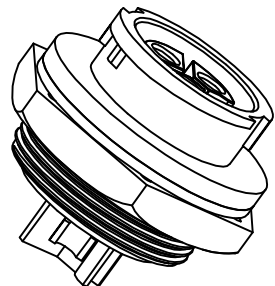
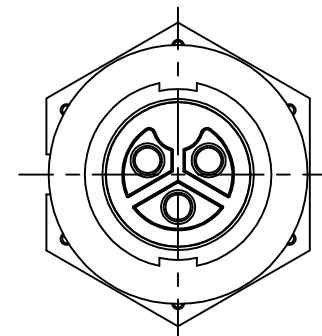
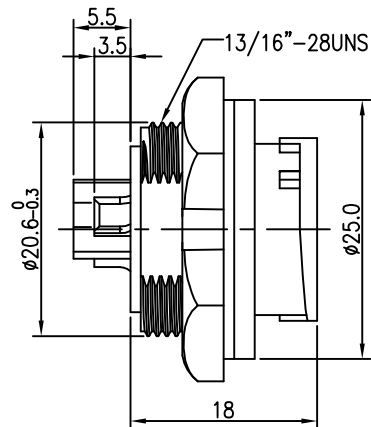
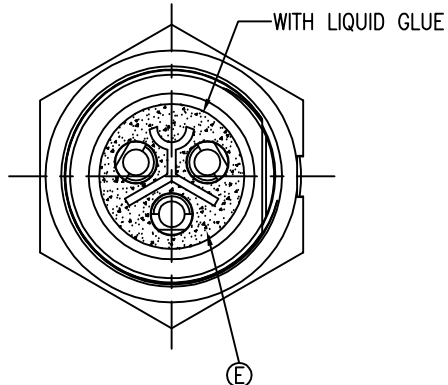


REV.	ECN NO OR DESCRIPTION	REVISED	DATE
A	PDR NO.:S131125-8B	Shawn	2014.05.09

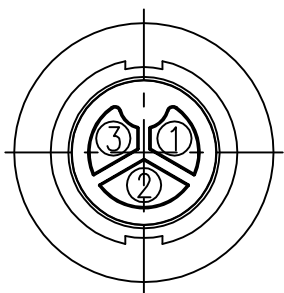


RECOMMENDED PANEL CUT-OUT
FOR PANEL THICKNESS MAX OF 3.5mm



NOTES:

- ELECTRICAL CHARACTERISTICS:
 - CURRENT RATING: 20 AMPS.
 - CONTACT RESISTANCE: 30 mOhm Max.
 - INSULATION RESISTANCE: 100 MOhm Min. at 500VDC.
 - BREAKDOWN VOLTAGE: 1000 VAC PER MINUTE.
- MECHANICAL CHARACTERISTICS:
 - TIGHTENING TORQUES: 0.8~1.0Nm(7.08~8.85lbf.in.)
 - MECHANICAL CHARACTERISTICS: CONTACT ACCOMMODATION: 14~16 AWG.
- ENVIRONMENTAL:
 - OPERATING TEMPERATURE: -40°C TO +105°C.
 - SEALING REQUIREMENTS: IP67.
- LIFE TEST: 1,000 CYCLES MIN.
- OTHER GENERAL SPEC. TO REFER "CIRCULAR SERIES GENERAL SPEC".
- FOR TECHNICAL DATA REFER TO YOUR LOCAL SINGATRON ELECTRONICS SALES OFFICE.
- ALL DIMENSIONS ARE NOMINAL FOR REFERENCE ONLY UNLESS OTHERWISE STATED.
- TO CONFORM TO SINGATRON HAZARDOUS SUBSTANCE FREE SPEC.
- GREEN PRODUCT IDENTIFICATION LABEL ON PACKAGING: .



PIN ASSIGNMENTS
FRONT VIEW

E	LIQUID GLUE	1	N/A	BLACK
D	NUT	1	PA66+GF	BLACK
C	GASKET	1	EPDM	BLACK
B	FEMALE PIN	3	Phosphor Bronze	1~3u" GOLD PLATING OVER NICKEL PLATING
A	BODY	1	PA66+GF	BLACK
NO	DESCRIPTION	QTY	MATERIAL	PLATING & COLOR

UNLESS OTHERWISE
SPECIFIED TOLERANCES

DECIMALS:	ANGLES:
X : ±0.5	X : ±2°
X.X : ±0.3	X.X : ±1'
X.XX : ±0.2	

Singatron Electronic(China) Co., Ltd.
 信音電子(中國)股份有限公司

TITLE	CIRCULAR MIDDLE SIZE (SOLDER/LOCK TYPE) MALE CONN. FEMALE 3PIN(20A) REAR MOUNT		
DWN	Shawn	PART NO.2CM3137-X03600H	
CHKD	Harlen	SCALE 2:1	UNIT: mm
APVD	Quan	SIZE: A3	SHEET: 1 OF 1 REV: A

CUSTOMER COPY