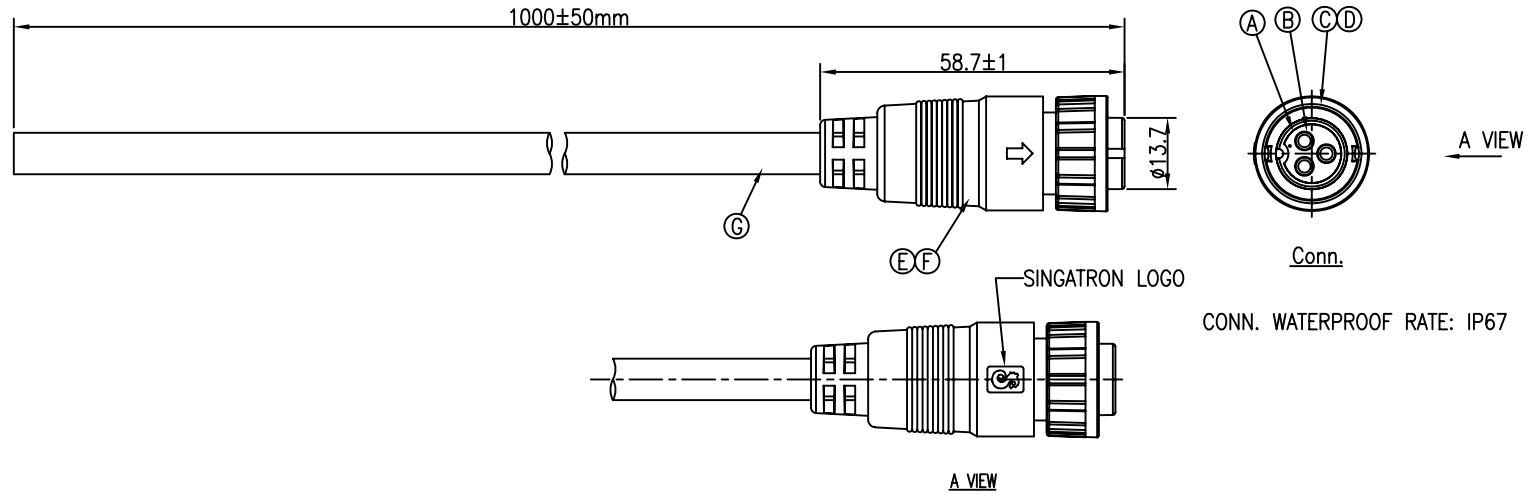
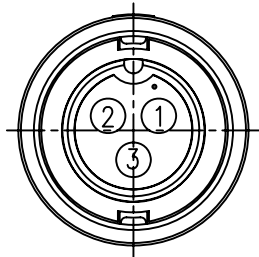


REV.	ECN NO OR DESCRIPTION	REVISED	DATE
A	PDR NO.:T090618-1B	HARLEN	2009.04.28



BLACK	3
BLUE	2
BROWN	1
WIRE COLOR	CONN.

PIN OUT



Pin Assignments
Front View

NOTES:

1. WATERPROOF RATE: IP67
IP67: IMMERSED IN 1M WATER FOR 30 MINUTES
2. SPECIFICATIONS:SEE "CIRCULAR SERIES SPECIFICATIONS".
3. TO CONFORM TO SINGATRON HAZARDOUS SUBSTANCE FREE SPEC.
4. GREEN PRODUCT IDENTIFICATION LABEL ON PACKAGING: **G.P. PASS**

G	CABLE	1	UL2464 16AWG*3C+ Al/My(UV RESISTANT) OD=φ7.0	BLACK PVC JACKET
F	INNER MOLD	1	TPU	NATURAL
E	OVER MOLD	1	PVC	BLACK
D	O-RING	1	EPDM	BLACK
C	LOCK NUT	1	NYLON+33%GF	BLACK
B	MALE PIN	3	HBI59-1.5B	1u" GOLD PLATED OVER NICKEL PLATING
A	BODY	1	NYLON+33%GF	BLACK
NO	DESCRIPTION	QTY	MATERIAL	PLATING & COLOR
UNLESS OTHERWISE SPECIFIED TOLERANCES			Singatron Enterprise Co., Ltd. 信音企業股份有限公司	
DECIMALS:	ANGLES:	TITLE	CIRCULAR MIDDLE SIZE (IP67) FEMALE CONN. MALE PIN 3 PIN(16A) LOCK TYPE	
X :±0.5	X :±2°	DWN	HARLEN 2009.10.30 PART NO.2CM3016-W03601	
X.X :±0.3	X.X :±1°	CHKD	STEVE 2009.10.30 SCALE 1:1 UNIT: mm	
X.XX :±0.2		APVD	AMX 2009.10.30 SIZE: A2 SHEET:1 OF 1 REV:A	
CUSTOMER COPY				