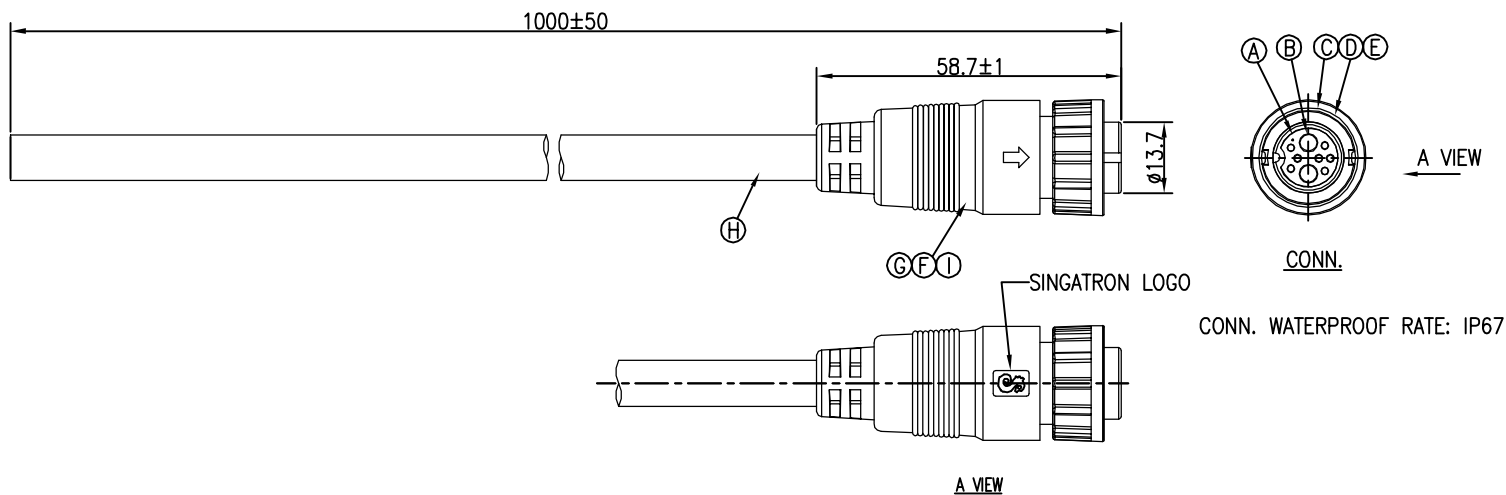
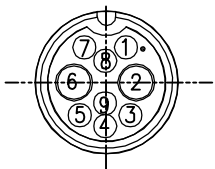


REV.	ECN NO OR DESCRIPTION	REVISED	DATE
A	PDR NO.T170412-3A	Yang	2017.04.13



BROWN	8
VIOLET	9
ORANGE	5
BLUE	4
GRAY	3
WHITE	7
GREEN	1
BLACK	6
RED	2
WIRE COLOR	CONN.

PIN OUT



Pin Assignments  
Front View

NOTES:

- WATERPROOF RATE: IP67  
IP67: IMMERSED IN 1M WATER FOR 30 MINUTES
- ELECTRICAL CHARACTERISTICS  
CURRENT RATING: 2+20A  
TEMPERATURE RANGE: -20°C TO +80°C  
DIELECTRIC WITHSTANDING VOLTAGE: 500V AC FOR ONE MINUTE
- SPECIFICATIONS:SEE "CIRCULAR SERIES SPECIFICATIONS".
- TO CONFORM TO SINGATRON HAZARDOUS SUBSTANCE FREE SPEC.
- GREEN PRODUCT IDENTIFICATION LABEL ON PACKAGING: **GREEN PASS**
- UV CYCLIC 96H 0.63W/CM<sup>2</sup> AND HOT AND COLD SHOCK 5 CYCLE TIME TESTED  
NON-AGING,CRACKING,ETC.
- CABLE PASSES VW-1.
- PASSES "EIA364-26 TEST CONDITION A" SALT SPRAY 48H.

I	TUBE	9	125°C 300V	BLACK
H	CABLE	1	UL2464 (24AWG*7C+AL D+B)+14AWG*2C+AL(UV)	BLACK(PVC JACKET)
G	INNER MOLD	1	TPU	NATURAL
F	OVER MOLD	1	PVC	BLACK
E	O-RING	1	EPDM	BLACK
D	LOCK NUT	1	NYLON+GF	BLACK
C	MALE PIN	7	HBI59-1.5B	GOLD PLATING OVER NICKEL PLATING
B	MALE PIN	2	HBI59-1.5B	GOLD PLATING OVER NICKEL PLATING
A	BODY	1	NYLON+GF	BLACK
NO	DESCRIPTION	QTY	MATERIAL	PLATING & COLOR

UNLESS OTHERWISE SPECIFIED TOLERANCES

Singatron Enterprise Co., Ltd.  
信音企業股份有限公司

DECIMALS: ANGLES:  
X :±0.5 X :±2°  
X.X :±0.3 X.X :±1°  
X.XX :±0.2

TITLE	CIRCULAR MIDDLE SIZE (IP67) FEMALE CONN. MALE PIN (2+7)PIN(2+20A) LOCK TYPE		
DWN	Yang	<b>PART NO.2CM3016-W09E07H</b>	
CHKD	JF	SCALE 1:1	UNIT: mm
APVD	Steve	SIZE: A2	SHEET:1 OF 1

CUSTOMER COPY