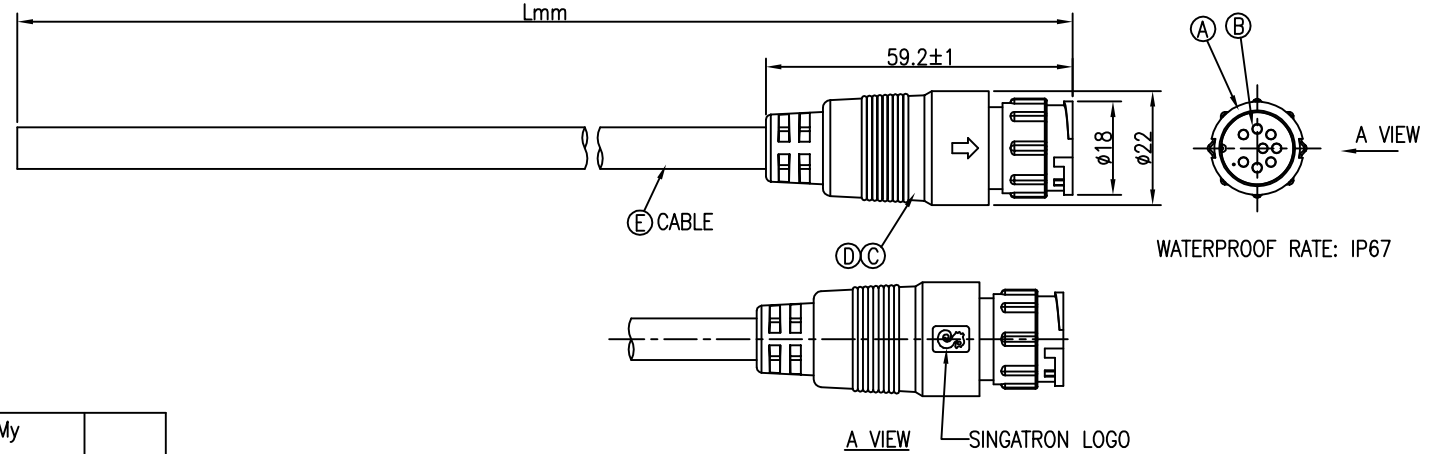


REV.	ECN NO OR DESCRIPTION	REVISED	DATE
A	PDR NO.:T080815C4F	Steve	2009.04.28
B	ECN NO.S100304	LILY	2010.03.17



D	2CM3024-X03600		UL2464 16AWG*3C+Al/My (UV Resistant),OD=ø7.0, Wire Color: 1.Brown 2.Blue 3.Black	16A
C	2CM3024-X07300		UL2464 24AWG*7C+Al/My (UV Resistant),OD=ø5.0, Wire Color: 1.Blue 2.Black 3.Yellow 4.Red 5.Brown 6.Green 7.White	5A
B	2CM3024-X08300		UL2464 24AWG*8C+Al/My (UV Resistant),OD=ø5.4, Wire Color: 1.Black 2.Brown 3.White 4.Blue 5.Red 6.Grey 7.Yellow 8.Green	5A
A	2CM3024-X09300		UL2464 24AWG*8C+Al/My (UV Resistant),OD=ø5.4, Wire Color: 1.Brown 2.Blue 3.White 4.Green 5.Yellow 6.Grey 7.Pink 8.Red 9.Black	5A
	P/N:	Pin Assignments Front View	Cable Spec.	Current Rating

- NOTES:
- WATERPROOF RATE: IP67
IP67: IMMERSED IN 1M WATER FOR 30 MINUTES
 - CABLE LENGTH TOLERANCE: 1M~10M±5%mm, 11M~99M±500mm.
CABLE JACKET MATERIAL: BLACK PVC
 - SPECIFICATIONS:SEE "CIRCULAR SERIES SPECIFICATIONS".
 - TO CONFORM TO SINGATRON HAZARDOUS SUBSTANCE FREE SPEC.
 - GREEN PRODUCT IDENTIFICATION LABEL ON PACKAGING: **G.P. PASS**
 - ORDER INFORMATION:
2CM3024-XXXX00

- 3-CURRENT RATING 5A
- 6-CURRENT RATING 16A
- 03- 3 PIN
- 07- 7 PIN
- 08- 8 PIN
- 09- 9 PIN

D	INNER MOLD	1	TPU	NATURAL
C	OVER MOLD	1	PVC	BLACK
B	MALE PIN	*	BRASS	6u" GOLD PLATING OVER NICKEL PLATING
A	BODY	1	NYLON+33%GF	BLACK
NO	DESCRIPTION	QTY	MATERIAL	PLATING & COLOR
UNLESS OTHERWISE SPECIFIED TOLERANCES		Singatronic Electronic(China) Co., Ltd. 信音電子(中國)股份有限公司		
DECIMALS:		TITLE		
X	±0.5	CIRCULAR MIDDLE SIZE (IP67)		
X.X	±0.3	MALE CONN. MALE (3~9) PIN LOCK TYPE		
X.XX	±0.2	DWN	LILY	PART NO.2CM3024-XOXX00
		CHKD	Steve	SCALE 1:1 UNIT: mm
		APVD	Max	SIZE: A3 SHEET:1 OF 1 REV: B
CUSTOMER COPY				