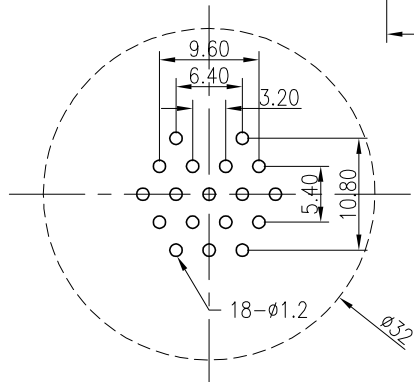
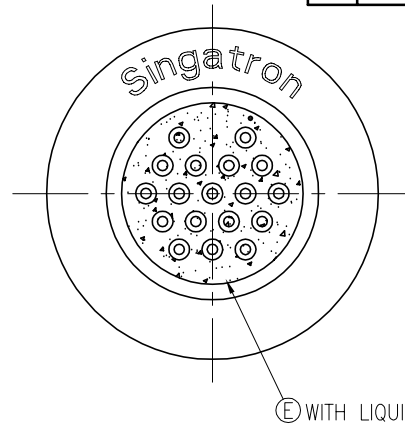
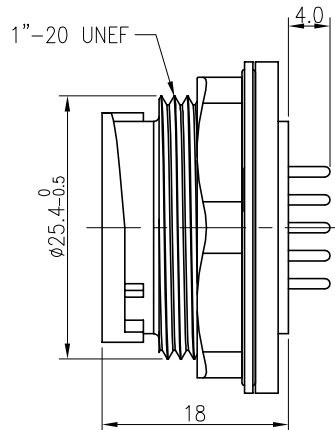
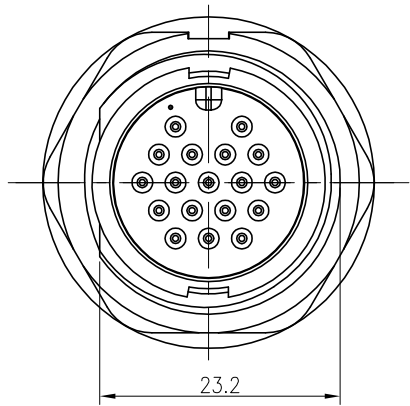
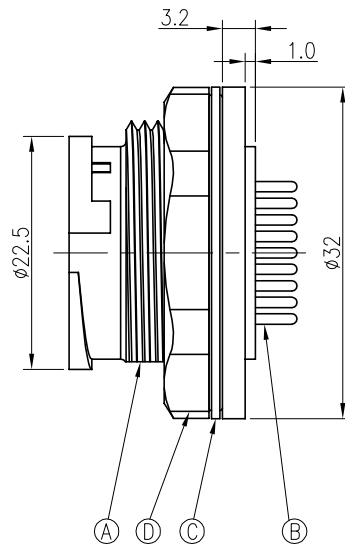


REV.	ECN NO OR DESCRIPTION	REVISED	DATE
A	PDR NO.:T100108-4A	joe-liao	2010.01.26
B	ECN NO.:S121109	YF	2014.03.27

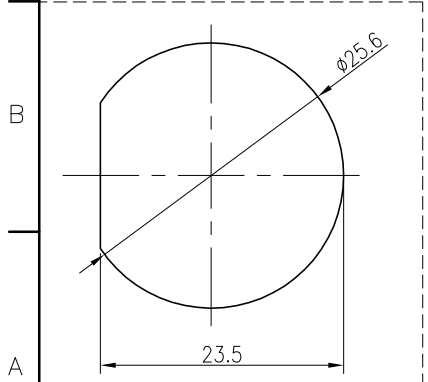


PCB LAYOUT

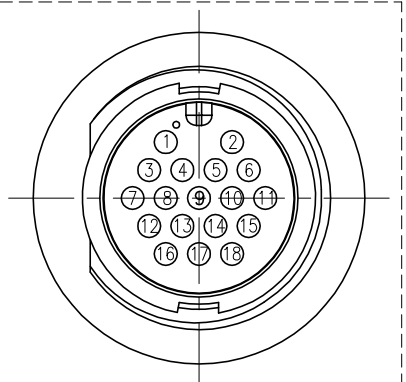


NOTES:

1. WATERPROOF RATE: IP67
IP67: IMMERSED IN 1M WATER FOR 30 MINUTES
2. ELECTRICAL CHARACTERISTICS
TEMPERATURE RANGE: -40°C TO +100°C
CURRENT RATING: 5A
DIELECTRIC WITHSTANDING VOLTAGE: 500V AC FOR ONE MINUTE
3. SPECIFICATIONS:SEE "CIRCULAR SERIES SPECIFICATIONS".
4. TO CONFORM TO SINGATRON HAZARDOUS SUBSTANCE FREE SPEC.
5. GREEN PRODUCT IDENTIFICATION LABEL ON PACKAGING: **G.P. PASS**
6. FOR PANEL THICKNESS MAX OF 3.5mm



RECOMMENDED PANEL CUT-OUT



Pin Assignments Front View

E	LIQUID GLUE	1	N/A	BLACK
D	NUT	1	NYLON+33%GF	BLACK
C	GASKET	1	EPDM	BLACK
B	MALE PIN	18	BRASS	6u" GOLD PLATING OVER NICKEL PLATING
A	BODY	1	NYLON+33%GF	BLACK
NO	DESCRIPTION	QTY	MATERIAL	PLATING & COLOR

UNLESS OTHERWISE SPECIFIED TOLERANCES

Singatron Electronic(China) Co., Ltd.
 信音電子(中國)股份有限公司

DECIMALS:	ANGLES:	TITLE	CIRCULAR LARGE SIZE (PCB/LOCK TYPE)	
X :±0.5	X :±2°	DWN	MALE CONN. MALE 18PIN(5A)	
X.X :±0.3	X.X :±1°	CHKD	Harlen	SCALE 2:1 UNIT: mm
X.XX :±0.2		APVD	Quan	SIZE: A3 SHEET:1 OF 1 REV: B

CUSTOMER COPY