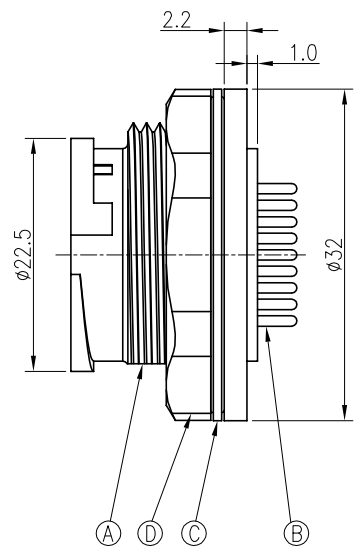
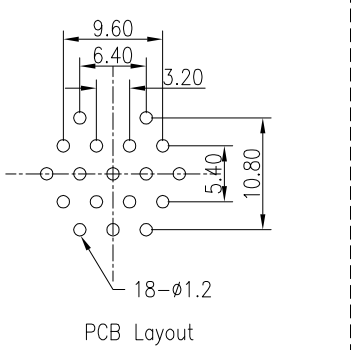
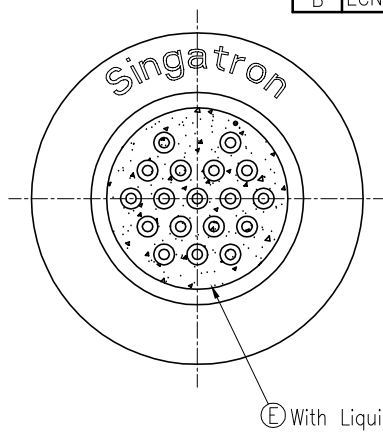
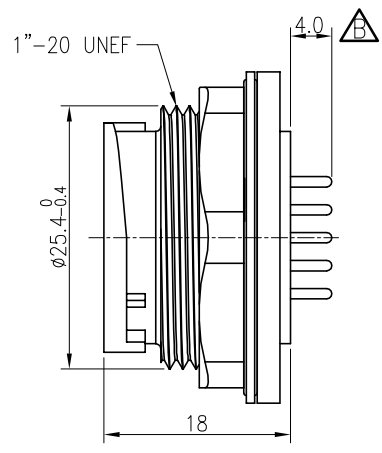
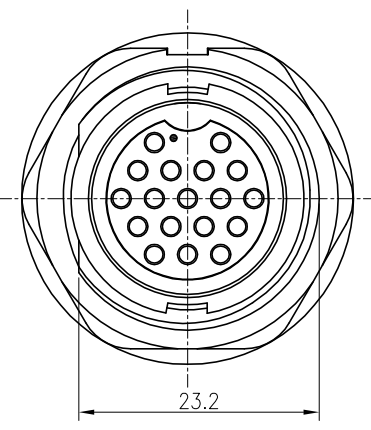
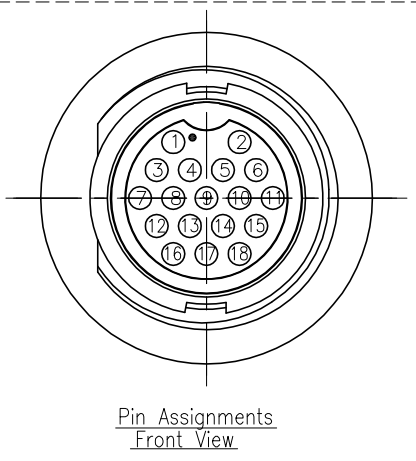
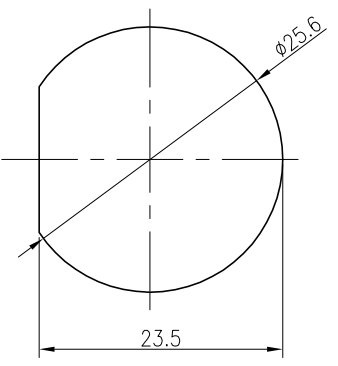


|      |                       |         |            |
|------|-----------------------|---------|------------|
| REV. | ECN NO OR DESCRIPTION | REVISED | DATE       |
| A    | PDR NO:T100429-3A     | Shawn   | 2010.09.16 |
| B    | ECN NO.:S140222       | Susie   | 2014.02.27 |



- NOTES:
1. WATERPROOF RATE: IP67  
IP67: IMMERSED IN 1M WATER FOR 30 MINUTES
  2. CURRENT RATING: 5A
  3. SPECIFICATIONS:SEE "CIRCULAR SERIES SPECIFICATIONS".
  4. TO CONFORM TO SINGATRON HAZARDOUS SUBSTANCE FREE SPEC.
  5. GREEN PRODUCT IDENTIFICATION LABEL ON PACKAGING: **G.P. PASS**
  6. FOR PANEL THICKNESS MAX OF 3.5mm

| E  | LIQUID GLUE | 1   | N/A             | BLACK                                |
|----|-------------|-----|-----------------|--------------------------------------|
| D  | NUT         | 1   | NYLON+GF        | BLACK                                |
| C  | GASKET      | 1   | EPDM            | BLACK                                |
| B  | FEMALE PIN  | 18  | Phosphor Bronze | 6u" GOLD PLATING OVER NICKEL PLATING |
| A  | BODY        | 1   | NYLON+GF        | BLACK                                |
| NO | DESCRIPTION | QTY | MATERIAL        | PLATING & COLOR                      |



UNLESS OTHERWISE SPECIFIED TOLERANCES

DECIMALS: ANGLES:

X :±0.5 X :±2°  
X.X :±0.3 X.X :±1°  
X.XX :±0.2

|                      |  |                               |              |
|----------------------|--|-------------------------------|--------------|
| TITLE                | CIRCULAR LARGE SIZE (PCB/LOCK TYPE)<br>MALE CONN. FEMALE 18PIN(5A) |                               |              |
| DWN                  | Susie  | <b>PART NO.2CG3012-X18300</b> |              |
| CHKD                 | Harlen   | SCALE 2:1                     | UNIT: mm     |
| APVD                 | Quan   | SIZE: A3                      | SHEET:1 OF 1 |
| <b>REV: B</b>        |  |                               |              |
| <b>CUSTOMER COPY</b> |  |                               |              |