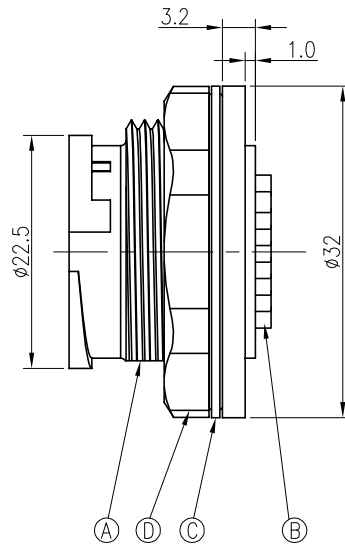
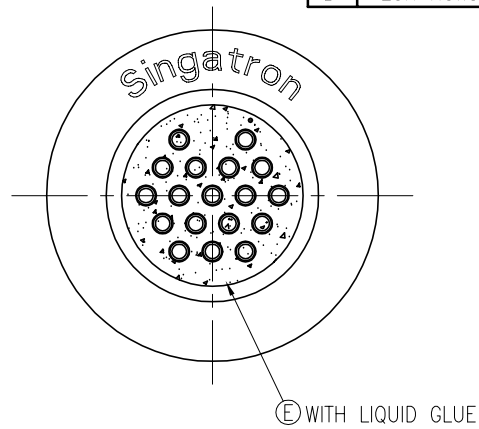
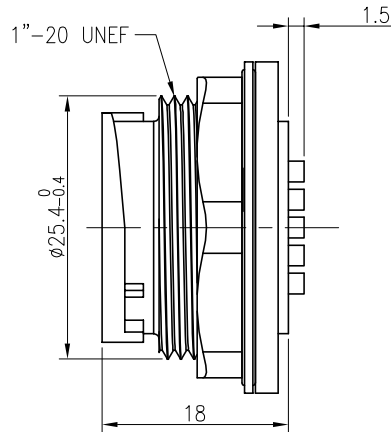
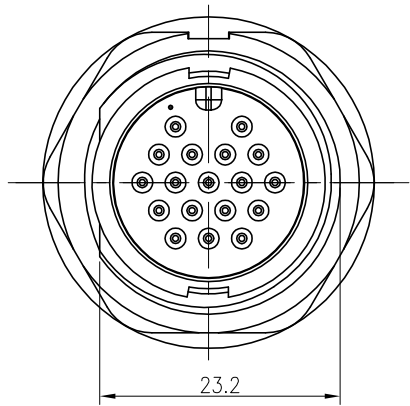
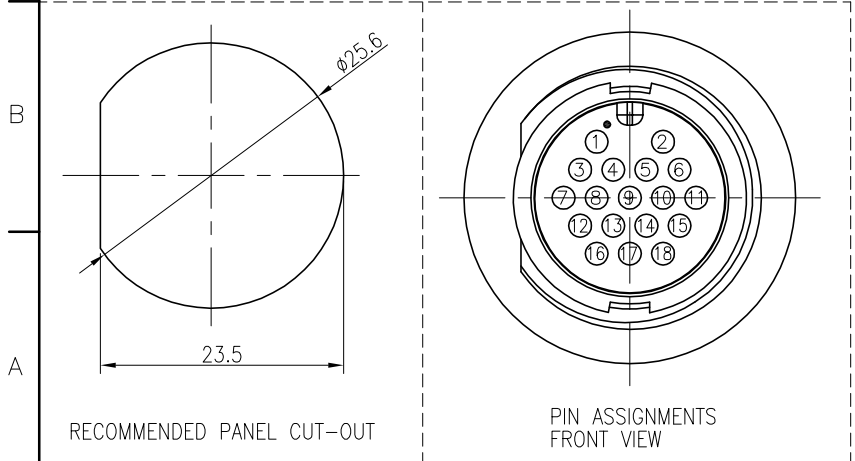


REV.	ECN NO OR DESCRIPTION	REVISED	DATE
A	PDR NO.:T100108-4A	joe-liao	2010.01.26
B	ECN NO.:S121109	YF	2014.03.27



NOTES:

- WATERPROOF RATE: IP67
IP67: IMMERSED IN 1M WATER FOR 30 MINUTES
- ELECTRICAL CHARACTERISTICS
TEMPERATURE RANGE: -40°C TO +100°C
CURRENT RATING: 5A
DIELECTRIC WITHSTANDING VOLTAGE: 500V AC FOR ONE MINUTE
- SPECIFICATIONS:SEE "CIRCULAR SERIES SPECIFICATIONS".
- TO CONFORM TO SINGATRON HAZARDOUS SUBSTANCE FREE SPEC.
- GREEN PRODUCT IDENTIFICATION LABEL ON PACKAGING: **G.P. PASS**
- FOR PANEL THICKNESS MAX OF 3.5mm



NO	DESCRIPTION	QTY	MATERIAL	PLATING & COLOR
E	LIQUID GLUE	1	N/A	BLACK
D	NUT	1	NYLON+33%GF	BLACK
C	GASKET	1	EPDM	BLACK
B	MALE PIN	18	BRASS	6u" GOLD PLATING OVER NICKEL PLATING
A	BODY	1	NYLON+33%GF	BLACK

UNLESS OTHERWISE SPECIFIED TOLERANCES

SGconn Singatron Electronic(China) Co., Ltd.
Waterproof Connectors 信音電子(中國)股份有限公司

TITLE	CIRCULAR LARGE SIZE (SOLDER/LOCK TYPE) MALE CONN. MALE 18PIN(5A)		
DWN	YF	PART NO.2CG3002-X18300	
CHKD	Harlen	SCALE 2:1	UNIT: mm
APVD	Quan	SIZE: A3	SHEET:1 OF 1

CUSTOMER COPY