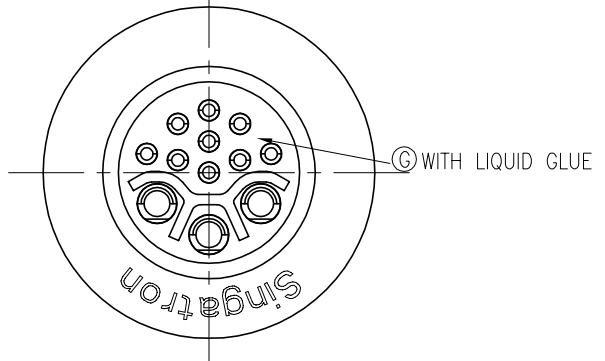
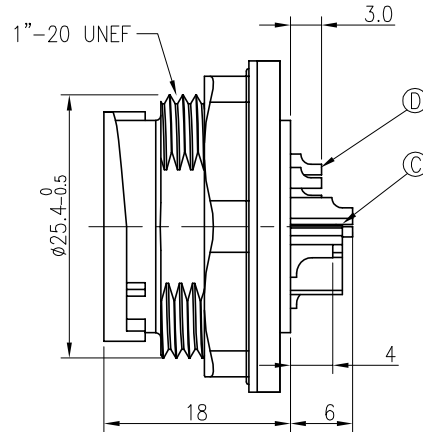
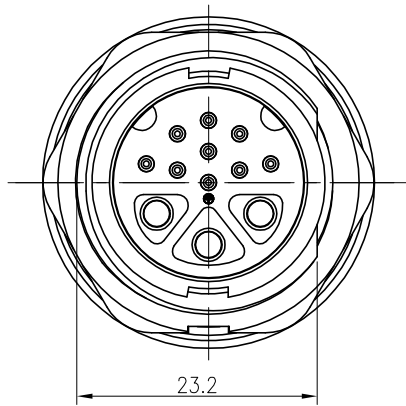


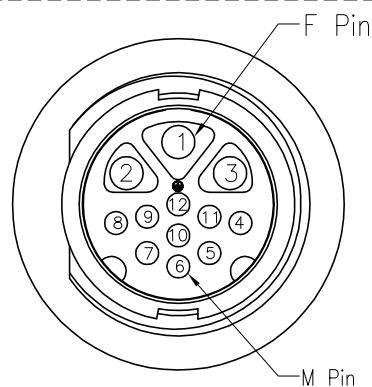
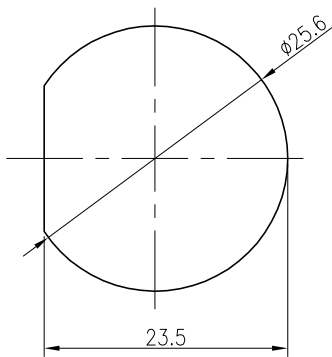
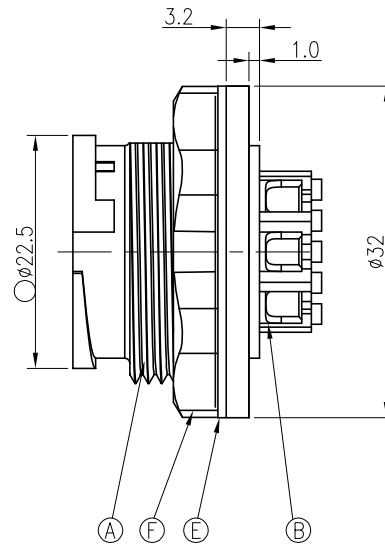
1 2 3 4 5 6 7 8

REV.	ECN NO OR DESCRIPTION	REVISED	DATE
A	PDR NO.:C100121-2A	joe-lio	2010.01.26
B	ECN NO.:S121109	YF	2014.03.27



NOTES:

1. WATERPROOF RATE: IP67(WHEN PROPERLY MATED)  
IP67: IMMERSED IN 1M WATER FOR 30 MINUTES
2. TEST CONDITIONS:
  - 2-1. SHORT/OPEN CONDUCT TEST
  - 2-2. HI-POT TEST 500VAC,5mA(1SEC)
  - 2-3. INSULATION RESISTANCE: 100M MIN. BY 500 VDC
  - 2-4. OTHER GENERAL SPEC. TO REFER "CIRCULAR SERIES SPEC".
3. TO CONFORM TO SINGATRON HAZARDOUS SUBSTANCE FREE SPEC.
4. GREEN PRODUCT IDENTIFICATION LABEL ON PACKAGING: **G.P. PASS**
5. FOR PANEL THICKNESS MAX OF 3.5mm



G	LIQUID GLUE	1	N/A	BLACK
F	NUT	1	NYLON+33%GF	BLACK
E	GASKET	1	EPDM	BLACK
D	SHORT MALE PIN	4	BRASS	6u" GOLD PLATING OVER NICKEL PLATING
C	LONG MALE PIN	5	BRASS	6u" GOLD PLATING OVER NICKEL PLATING
B	FEMALE PIN	3	Phosphor Bronze	GOLD FLASH OVER NICKEL PLATING
A	BODY	1	NYLON+33%GF(70G33L)	BLACK
NO	DESCRIPTION	QTY	MATERIAL	PLATING & COLOR

UNLESS OTHERWISE SPECIFIED TOLERANCES

Singatron Electronic(China) Co., Ltd.  
 信音電子(中國)股份有限公司

DECIMALS:	ANGLES:	TITLE	CIRCULAR LARGE SIZE (SOLDER/LOCK TYPE) MALE CONN. MALE 12PIN(5+20A)	
X :±0.5	X :±2°	DWN	YF	<b>PART NO.2CG3002-X12F00</b>
X.X :±0.3	X.X :±1°	CHKD	Harlen	SCALE 2:1 UNIT: mm
X.XX :±0.2		APVD	Quan	SIZE: A3 SHEET:1 OF 1 REV: B

CUSTOMER COPY

1 2 3 4 5 6 7 8