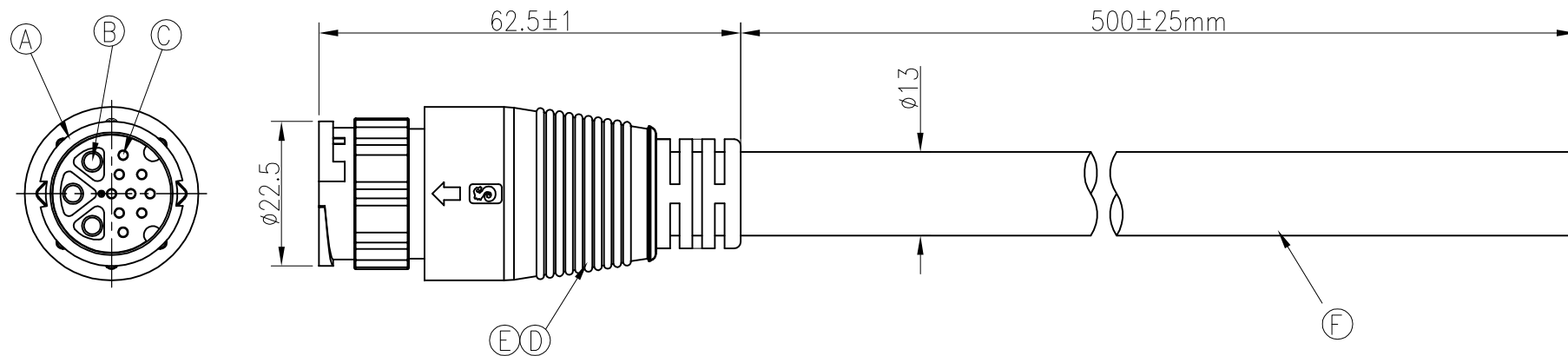


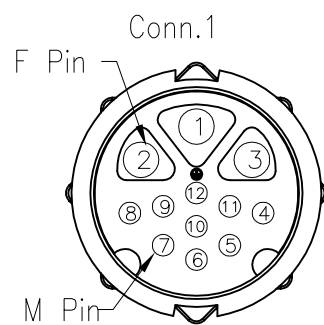
REV.	ECN NO OR DESCRIPTION	REVISED	DATE
A	PDR NO.:C100519-6A	joe-liao	2010.05.17
B	ECN NO:S100731	Harlen	2010.08.02



12	Drain	(24AWG)
11	Brown	(24AWG)
10	Brown/White	(24AWG)
9	Blue	(24AWG)
8	Blue/White	(24AWG)
7	Green	(24AWG)
6	Green/White	(24AWG)
5	Orange	(24AWG)
4	Orange/White	(24AWG)
3	Blue	(12AWG)
2	Brown	(12AWG)
1	Green/Yellow	(12AWG)

Twist  
Twist  
Twist  
Twist  
(Cat.5e)

Conn.1	Wire Color
	Pin Out



Pin Assignments  
Front View

NOTES:

1. WATERPROOF RATE: IP67(WHEN PROPERLY MATED)  
IP67: IMMERSED IN 1M WATER FOR 30 MINUTES
2. CURRENT RATING: 5A+20A
3. SPECIFICATIONS:SEE "CIRCULAR SERIES SPECIFICATIONS".
4. TO CONFORM TO SINGATRON HAZARDOUS SUBSTANCE FREE SPEC.
5. GREEN PRODUCT IDENTIFICATION LABEL ON PACKAGING: **G.P. PASS**

F	DESCRIPTION	QTY	MATERIAL	PLATING & COLOR
F	CABLE	1	NOUL 12#*3C+F+P+ (24#*4P+M+D+AL) UV RESISTANT	BLACK(PVC JACKET)
E	INNER MOLD	1	TPU	NATURAL
D	OVER MOLD	1	PVC	BLACK
C	MALE PIN	9	Brass(Hbi59-1.5B)	6u" GOLD PLATING OVER NICKEL PLATING
B	FEMALE PIN	3	Phosphor Bronze	1~3u" GOLD PLATING OVER NICKEL PLATING
A	BODY	1	NYLON+GF	BLACK
NO	DESCRIPTION	QTY	MATERIAL	PLATING & COLOR

UNLESS OTHERWISE  
SPECIFIED TOLERANCES

**Sgeconn** Waterproof Connectors  
Singatron Electronic(China) Co., Ltd.  
信音電子(中國)股份有限公司

DECIMALS:	ANGLES:	TITLE	CIRCULAR LARGE SIZE (IP67) FEMALE CONN. FEMALE 12 PIN(5+20A) LOCK TYPE		
X :±0.5	X :±2°	DWN	Harlen	<b>PART NO.2CG3024-X12F01</b>	
X.X :±0.3	X.X :±1°	CHKD	Steve	SCALE 1:1	UNIT: mm
X.XX :±0.2		APVD	Tony	SIZE: A3	SHEET:1 OF 1

**CUSTOMER COPY**