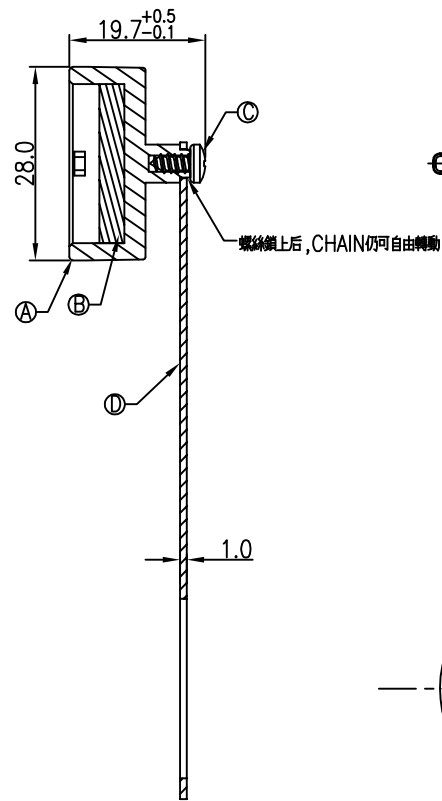
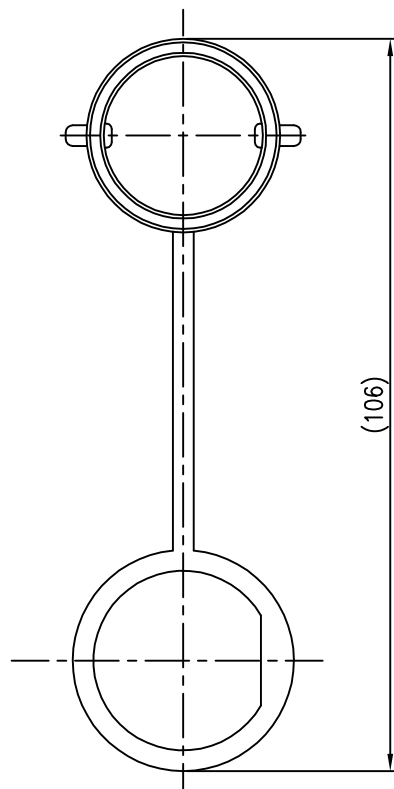
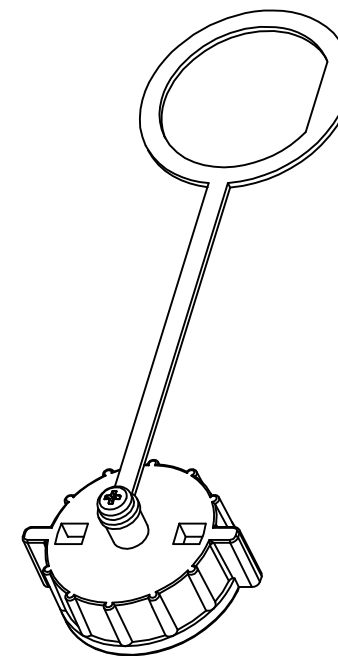
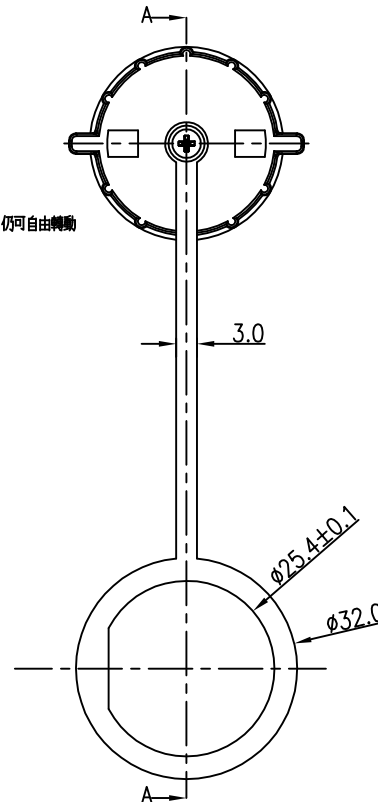


REV.	ECN NO OR DESCRIPTION	REVISED	DATE
1	PDR NO.:T100429-15A	joe-liao	2010.04.29





A-A SECTION



NOTES:

1. WATERPROOF RATE: IP67  
IP67: IMMERSED IN 1M WATER FOR 30 MINUTES
2. TO CONFORM TO SINGATRON HAZARDOUS SUBSTANCE FREE SPEC.
3. GREEN PRODUCT IDENTIFICATION LABEL ON PACKAGING: G.P. PASS
4. FOR PANEL THICKNESS MAX OF 2.8mm

D	CHAIN	1	TPU	BLACK
C	SCREW	1	STAINLESS STEEL	N/A
B	GASKET	1	EPDM	BLACK
A	LOCK NUT	1	NYLON+GF	BLACK
NO	DESCRIPTION	QTY	MATERIAL	PLATING & COLOR
UNLESS OTHERWISE SPECIFIED TOLERANCES		 Singatron Electronic(China) Co., Ltd. 		
DECIMALS:	ANGLES:	TITLE		
X :±0.5	X :±2°	CIRCULAR LARGE SIZE WATERPROOF CAP LOCK TYPE (IP67)		
X.X :±0.3	X.X±1'	DWN	Shawn	<b>PART NO.2CG3000-X0000W</b>
X.XX:±0.2		CHKD	Steve	SCALE1.3:1 UNIT: mm
		APVD	Max	SIZE: A3 SHEET: 1 OF 1 REV: A
<b>CUSTOMER COPY</b>				