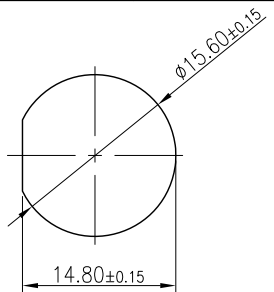
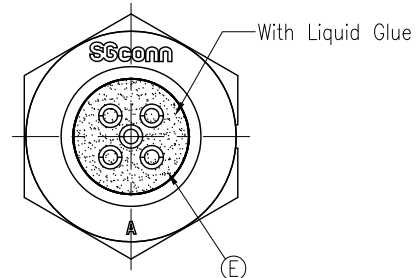
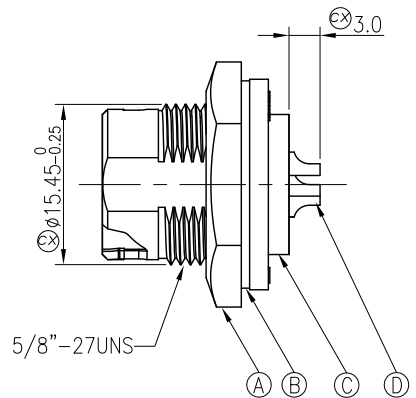
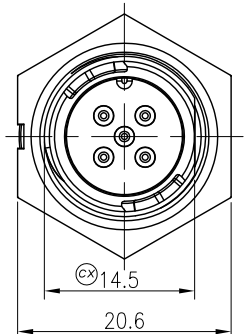
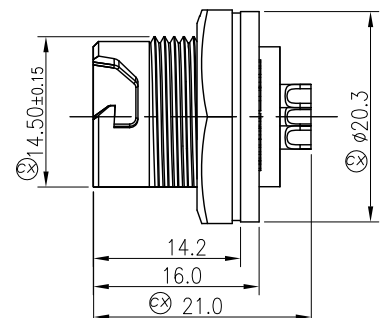


REV.	ECN NO OR DESCRIPTION	REVISED	DATE
A	PDR NO.:S131028-5B	Harlen	2015.1.21



RECOMMENDED PANEL CUT-OUT



NOTES:

- ELECTRICAL CHARACTERISTICS:
 - 1-1 CURRENT RATING: 5A.
 - 1-2 CONTACT RESISTANCE: 30 mOhm Max.
 - 1-3 INSULATION RESISTANCE: 100 MOhm Min at 500VDC.
 - 1-4 BREAKDOWN VOLTAGE: 500 VAC PER MINUTE(5A)
- MECHANICAL CHARACTERISTICS:
 - 2-1 TIGHTENING TORQUES: 0.8~1.0Nm(7.08~8.85lbf.in.).
- ENVIRONMENTAL:
 - 3-1 OPERATING TEMPERATURE: -40°C TO +105°C.
 - 3-2 SEALING REQUIREMENTS:IP67.
- LIFE TEST: 1,000 CYCLES MIN.
- FOR PANEL THICKNESS MAX OF 4.0mm
- OTHER GENERAL SPEC TO REFER"QUICK SERIES GENERAL SPEC".
- FOR TECHNICAL DATA REFER TO YOUR LOCAL SINGATRON ELECTRONICS SALES OFFICE.
- ALL DIMENSIONS ARE NOMINAL FOR REFERENCE ONLY UNLESS OTHERWISE STATED.
- TO CONFORM TO SINGATRON HAZARDOUS SUBSTANCE FREE SPEC.
- GREEN PRODUCT IDENTIFICATION LABEL ON PACKAGING: **G.P. PASS**
- ⊗ REPRESENT CRITICAL DIMENSIONS.

E	LIQUID GLUE	1	N/A	BLACK
D	MALE PIN	*	C3604	1~3u" GOLD PLATING OVER NICKEL PLATING
C	BODY	1	PA66+25%GF	BLACK
B	GASKET	1	SILICONE	BLACK
A	NUT	1	PA66+25%GF	BLACK
NO	DESCRIPTION	QTY	MATERIAL	PLATING & COLOR

UNLESS OTHERWISE SPECIFIED TOLERANCES		Singatron Enterprise Co., Ltd. 信音企業股份有限公司		
DECIMALS:	ANGLES:	TITLE QUICK SERIES STANDARD SIZE (SOLDER TYPE)		
X :±0.3	X :±1°	DWN	Harlen	PART NO.2QT3002-W05300H
X.X :±0.2	X.X :±0.5°	CHKD	JF	SCALE 2:1 UNIT: mm
X.XX :±0.1		APVD	STEVE	SIZE: A3 SHEET:1 OF 1 REV:A
X.XXX :±0.05		ENGINEERING COPY		