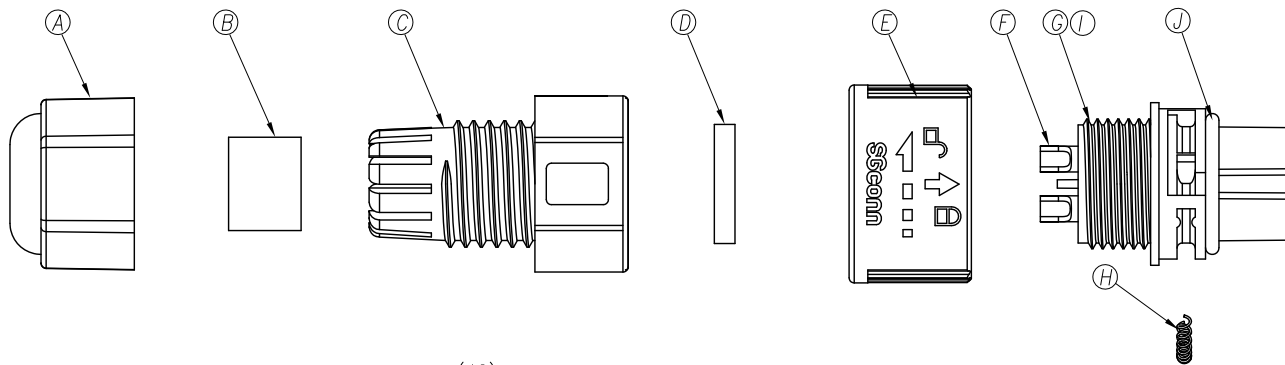
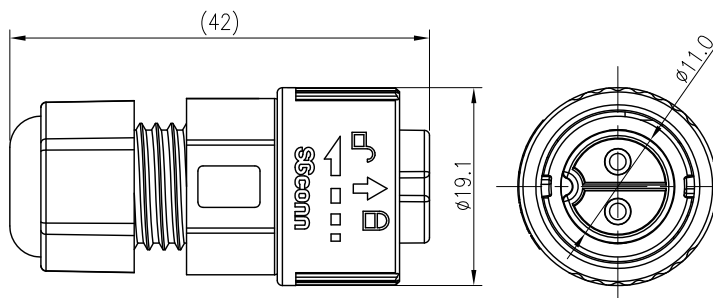


REV.	ECN NO OR DESCRIPTION	REVISED	DATE
A	PDR NO:S130822-5A/B/D	Harlen	2015.1.2



TABLE_1

2QT3036-W05300H		5A (5PIN)
2QT3036-W03400H		10A (3PIN)
2QT3036-W02400H		10A (2PIN)
P/N:	PIN ASSIGNMENTS FRONT VIEW	CURRENT RATING



NOTES:

- ELECTRICAL CHARACTERISTICS:
 - 1-1 CURRENT RATING: 5~10 AMPS.
 - 1-2 CONTACT RESISTANCE: 30 mOhm Max.
 - 1-3 INSULATION RESISTANCE: 100 MOhm Min. at 500VDC.
 - 1-4 BREAKDOWN VOLTAGE: 500VAC PER MINUTE & 1000VAC PER MINUTE(10A)
- MECHANICAL CHARACTERISTICS:
 - TIGHTENING TORQUES: 1.0~1.2Nm(8.85~10.62lbf.in.).
- ENVIRONMENTAL:
 - 3-1 OPERATING TEMPERATURE: -40°C TO +105°C.
 - 3-2 SEALING REQUIREMENTS: IP67.
- SEAL FOR CABLE OD: $\phi 4.5\text{mm} \sim \phi 7.0\text{mm}$.
- LIFE TEST: 1,000 CYCLES MIN.
- OTHER GENERAL SPEC. TO REFER "QUICK SERIES GENERAL SPEC".
- FOR TECHNICAL DATA REFER TO YOUR LOCAL SINGATRON ELECTRONICS SALES OFFICE.
- ALL DIMENSIONS ARE NOMINAL FOR REFERENCE ONLY UNLESS OTHERWISE STATED.
- TO CONFORM TO SINGATRON HAZARDOUS SUBSTANCE FREE SPEC.
- GREEN PRODUCT IDENTIFICATION LABEL ON PACKAGING **G.P. PASS**

J	DESCRIPTION	QTY	MATERIAL	PLATING & COLOR
J	O-RING	1	SILICONE	BLUE
I	LIQUID GLUE	1	N/A	BLACK
H	SPRING	1	SUS	N/A
G	BODY	1	PA66	BLACK
F	MALE PIN	*	BRASS	1~3u" GOLD PLATING OVER NICKEL PLATING
E	LOCK NUT	1	PC	GREY
D	GASKET	1	SILICONE	BLACK
C	CLAMP RING	1	PC	BLACK
B	SEAL	1	SILICONE	BLACK
A	SEALING NUT	1	PC	BLACK
NO	DESCRIPTION	QTY	MATERIAL	PLATING & COLOR
UNLESS OTHERWISE SPECIFIED TOLERANCES		Singatron Enterprise Co., Ltd. 信音企業股份有限公司		
DECIMALS: X :±0.5 X.X :±0.3 X.XX :±0.2		TITLE: CIRCULAR SERIES QUICK TYPE STANDARD SIZE FEMALE CONN. MALE (2,3,5)PIN DWN: Harlen PART NO. 2QT3036-W0XX00H CHKD: JF SCALE 2:1 UNIT: mm APVD: STEVE SIZE: A3 SHEET: 1 OF 1 REV: A		
CUSTOMER COPY				